



<u>CT-FR930M</u>	YZ
<u>CT-FR730M</u>	YZ
<u>CT-FRV735M</u>	YZ
<u>CT-FR707</u>	YZ
<u>CT-FR710</u>	YZ
<u>CT-FRV715</u>	YZ
<u>CT-FX930M</u>	YU YH
<u>CT-FX730M</u>	YU YH



SERVICE MANUAL

STEREO CAR
CASSETTE RECEIVER

BASIC TAPE MECHANISM : CDS-801AW1

This Service Manual is the "Revision Publishing" and replaces "Simple Manual"
(S/M Code No. 09-003-342-9T1).

aiwa

S/M Code No. 09-003-342-9R1

REVISION

DATA

SPECIFICATIONS

RADIO SECTION

(FM)

Frequency Range [YZ]:	87.5 MHz-108 MHz (50-kHz steps)
Frequency Range [YH, YU]:	87.5 MHz-108 MHz (50-kHz steps) 87.5 MHz-108 MHz (100-kHz steps)
Usable Sensitivity:	12.7 dBf
50 dB Quieting Sensitivity:	17.2 dBf
IF Rejection:	80 dB
Frequency Response:	30 Hz-15,000 Hz
S/N Ratio:	63 dB
Stereo Separation:	35 dB at 1 kHz
Alternate Channel Selectivity:	70 dB
Capture Ratio:	3 dB

(MW) [YZ]

Frequency Range:	531 kHz-1,602 kHz (9-kHz steps)
Usable Sensitivity:	30 μV (30 dB)

(AM(MW)) [YH, YU]

Frequency Range:	530 kHz-1,710 kHz (10-kHz steps) 531 kHz-1,620 kHz (9-kHz steps)
Usable Sensitivity:	30 μV (30 dB)

(LW) [YZ]

Frequency Range:	144 kHz-288 kHz (1-kHz/9-kHz steps)
Usable Sensitivity:	30 μV (30 dB)

TAPE SECTION

Tape Speed:	4.8 cm/sec. (1 ⁷ / ₈ ips)
S/N Ratio (normal):	50 dB
S/N Ratio (metal):	DOLBY-NR OFF 54 dB
[CT-FR930M, FX930M]	DOLBY-NR ON 64 dB
Frequency Response:	40 Hz-14,000 Hz (normal) 40 Hz-16,000 Hz (metal)
Stereo Separation:	40 dB
FF/REW Time:	95 sec. (C-60)

AUDIO SECTION

Max. Power Output:	45 W x 4 channels
--------------------	-------------------

AUX IN INPUT


Input Sensitivity (Load impedance)	
AUX IN:	300 mV (10 kΩ)

GENERAL

Power-Supply Voltage:	14.4 V (11 to 16 V allowable), DC, negative ground
Load Impedance:	4 Ω
Tone Control:	Bass ±10 dB at 100 Hz Treble ±10 dB at 10 kHz
Preamp Output Voltage (load impedance):	2.2 V (10 kΩ) [YZ] 4.0 V (10 kΩ) [YU, YH]
Installation size:	182(W) x 53(H) x 155(D) mm (7 ¹ / ₄ (W) x 2 ¹ / ₈ (H) x 6 ¹ / ₈ (D) inches)

Steering-wheel-mounted remote control unit

Dimensions:	approx. 67(W) x 26(H) x 27(D) mm (2 ³ / ₄ (W) x 1 ¹ / ₁₆ (H) x 1 ¹ / ₈ (D) inches) (excluding holder, battery) approx. 38 g (1.33 oz.) (including holder, battery)
-------------	--

- Design and specifications are subject to change without notice.
- Dolby noise reduction manufactured under license from Dolby Laboratories Licensing Corporation.
- "DOLBY", and the double-D symbol  are trademarks of Dolby Laboratories Licensing Corporation.

ACCESSORIES LIST

DESCRIPTIONで判断できない物は "REFERENCE NAME LIST" を参照してください。
If can't understand for Description please kindly refer to "REFERENCE NAME LIST".

REF. NO	PART NO.	KANRI NO.	DESCRIPTION	REF. NO	PART NO.	KANRI NO.	DESCRIPTION
1	8A-KT1-901-010	IB, YZ (9L)	FR930M<A>	14	88-KT1-250-010		S-SCREW, THIN HEAD+2.6-4 BLK
1	8A-KT3-901-010	IB, YZ (9L)	FR730M, FRV735M<B, C>	15	87-B10-145-010		W-SPR, 5.3-8.5-1.5
1	8A-KT3-901-010	IB, YZ (9L)	FR730M, FRV735M<D, E, F>	16	88-KC4-255-010		S-SCREW, HEX-SOC+3-3.5 BLK
1	8A-KT5-901-010	IB, YU (3L)	930M<G>	17	88-KC4-257-010		KEY, HEXAGON WRENCH
1	8A-KT5-907-010	IB, YH (E CK CH A)	930M<H>	18	88-KC4-057-010		BELT, HRC
1	8A-KT7-901-010	IB, YU (3L)	730M<I>	19	88-KC4-053-010		HLDR, BELT HRC
2	8A-KT3-902-010	IB, INST, YZ (9L)	-A<A, B, C, D, E, F>				
2	8A-KT5-902-010	IB, INST, YU, YL (3L, P)	<G, I>				
2	8A-KT5-908-010	IB, INST, YH, Y (E CK CH A)	-A<H>				
3	R8-AZR-190-040		AZR-1 RCKCGNF				
4	8Z-KT1-625-010		CONN ASSY, 16P SOC016<G, H, I, J>				
5	86-KT1-237-010		HLDR, REAR MTG				
6	87-B10-141-010		NUT, 5 TYPE-2				
7	87-B10-143-010		UT1+5-15 W/O SLOT				
8	87-B10-144-010		W, 5.2-10-0.5				
9	88-KT1-247-010		S-SCREW, HEXAGON				
10	8Z-KT1-231-010		HLDR, HALF -T				
11	8Z-KT1-232-010		KEY, REMOVE -T				
12	8Z-KT1-251-010		S-SCREW, 5*6 TH+ TAPPING ST				
13	8Z-KT1-030-010		CASE, DFP -T				

TYPE	MODEL NAME	SUFFIX
A	CT-FR930M	YZ
B	CT-FR730M	YZ
C	CT-FRV735M	YZ
D	CT-FR707	YZ
E	CT-FR710	YZ
F	CT-FRV715	YZ
G	CT-FX930M	YU
H	CT-FX930M	YH
I	CT-FX730M	YU
J	CT-FX730M	YH

ELECTRICAL MAIN PARTS LIST

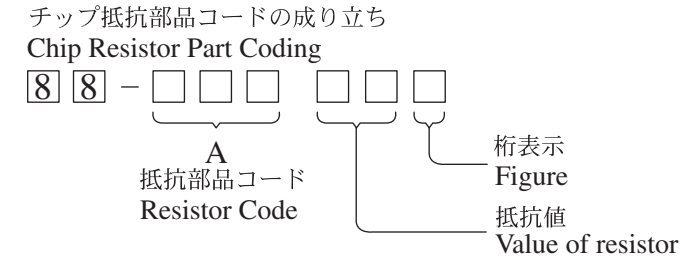
DESCRIPTIONで判断できない物は "REFERENCE NAME LIST" を参照してください。
 If can't understand for Description please kindly refer to "REFERENCE NAME LIST".

REF. NO	PART NO.	KANRI NO.	DESCRIPTION	REF. NO	PART NO.	KANRI NO.	DESCRIPTION
IC				C112	87-010-213-080		C-CAP,S 0.015-50 B<EXCEPT G,I>
	87-A20-233-010	C-IC,HA12192F<A,G,H>		C112	87-010-198-080		C-CAP,S 0.022-25 KB<G,I>
	87-002-394-010	IC,LB1641		C113	87-010-194-080		CAP, CHIP 0.047
	87-A21-538-010	IC,KIA2025P<EXCEPT A,G,H>		C114	87-010-194-080		CAP, CHIP 0.047
	8Z-KT1-622-010	C-IC,LC75374E		C115	87-010-197-080		CAP, CHIP 0.01 DM
	87-A21-562-010	IC,LA4743B		C116	87-010-495-080		CAP,E2.2-50
	87-A21-531-030	C-IC,UPD178006A-XXX<I,J>		C117	87-010-197-080		CAP, CHIP 0.01 DM
	87-A21-594-030	C-IC,UPD178016AGC-559-3B9<G,H>		C118	87-010-197-080		CAP, CHIP 0.01 DM
	87-A21-530-030	C-IC,UPD178018A-XXX<A,B,C,D,E,F>		C119	87-010-553-040		CAP,E 47-16 GAS
	87-002-689-080	IC,NJM2072M<A,G,H>		C120	87-010-196-080		CHIP CAPACITOR,0.1-25
	87-A21-532-030	C-IC,LC75817W-8720<A,G,H>		C301	87-010-494-040		CAP,E 1-50 GAS
	88-KT1-608-010	C-IC,LC75854W<EXCEPT A,G,H>		C302	87-010-494-040		CAP,E 1-50 GAS
	87-A90-951-010	RCR UNIT,SBX1971-52		C401	87-010-494-040		CAP,E 1-50 GAS<EXCEPT D,E,F>
	88-KT1-607-080	C-IC,SAA6579T<A,B,C,D,E,F>		C402	87-010-494-040		CAP,E 1-50 GAS<EXCEPT D,E,F>
	87-001-611-080	IC,NJM3403M<G,H,I,J>		C501	87-010-494-040		CAP,E 1-50 GAS
TRANSISTOR				C502	87-010-494-040		CAP,E 1-50 GAS
	87-A30-468-040	C-TR,KRC102S-RTK		C503	87-010-494-040		CAP,E 1-50 GAS
	87-A30-470-040	C-TR,KTC3875SY-RTK		C504	87-010-494-040		CAP,E 1-50 GAS
	87-A30-471-040	C-TR,KTA1504SY-RTK		C505	87-010-184-080		CHIP CAPACITOR 3300P(K)
	87-A30-469-040	C-TR,KRC111S-RTK		C506	87-010-184-080		CHIP CAPACITOR 3300P(K)
	87-A30-295-010	TR,KRA226M		C507	87-010-198-080		CAP, CHIP 0.022
	87-A30-472-040	C-TR,KRA226S-RTK		C508	87-010-198-080		CAP, CHIP 0.022
	87-026-576-080	C-TR,DTC343TK		C509	87-010-498-040		CAP,E 10-16 GAS
	87-A30-467-040	C-TR,KRA111S-RTK		C510	87-010-498-040		CAP,E 10-16 GAS
	8Z-KTH-627-080	TR,KTA1273Y		C511	87-A11-177-080		C-CAP,S 0.15-16 K B
	87-A30-476-010	TR,KTA1046Y		C512	87-A11-177-080		C-CAP,S 0.15-16 K B
	87-A30-063-080	C-TR,KRA104S		C513	87-A11-177-080		C-CAP,S 0.15-16 K B
	8Z-KTH-626-080	TR,KTC3203Y		C514	87-A11-177-080		C-CAP,S 0.15-16 K B
	87-A30-483-040	C-TR,KRC114S		C515	87-010-498-040		CAP,E 10-16 GAS
	89-423-953-010	TR,2SD2395F		C516	87-010-498-040		CAP,E 10-16 GAS
DIODE				C517	87-010-555-040		CAP,E 100-10 SRE
	87-020-465-080	DIODE,1SS133 (110MA)		C518	87-010-498-040		CAP,E 10-16 GAS
	87-A40-350-080	ZENER,MTZJ 4.7C		C519	87-010-196-080		CHIP CAPACITOR,0.1-25
	87-A40-504-040	C-DIODE,KDS184		C520	87-010-494-040		CAP,E 1-16 GAS
	87-017-932-080	ZENER,MTZJ6.2B		C521	87-010-805-080		CAP, S 1-16
	87-A40-829-040	DIODE,KDS196-RTK		C522	87-010-805-080		CAP, S 1-16
	87-A40-830-040	DIODE,KDS226-RTK		C523	87-010-805-080		CAP, S 1-16
	87-001-783-080	DIODE,1N4002		C524	87-010-494-040		CAP,E 1-50 GAS
	87-A40-250-080	C-DIODE,DAN217		C525	87-016-526-080		C-CAP,S 0.47-16 BK
	87-A40-819-040	C-ZENER,STZ6.8T		C526	87-016-526-080		C-CAP,S 0.47-16 BK
	87-020-590-080	C-ZENER,02CZ10Y		C527	87-016-526-080		C-CAP,S 0.47-16 BK
	87-027-262-010	LEDE,TLR-124 (RED)		C528	87-010-196-080		CHIP CAPACITOR,0.1-25
	87-020-585-080	CHIP-ZENER,02CZ6.2Y		C529	87-012-141-080		CHIP-CAPACITOR,0.22-16F
	87-020-583-080	CHIP-ZENER,02CZ5.1Y		C530	87-012-141-080		CHIP-CAPACITOR,0.22-16F
	87-A40-337-080	ZENER,MTZJ 6.8B		C531	87-010-178-080		CHIP CAP 1000P
	87-070-022-010	DIODE,1N5402 (RECT)		C601	87-A11-177-080		C-CAP,S 0.15-16 K B
	87-070-334-080	ZENER,MTZJ10A		C602	87-A11-177-080		C-CAP,S 0.15-16 K B
	87-A40-869-080	C-ZENER,02CZ11X<EXCEPT A,G,H>		C603	87-A11-177-080		C-CAP,S 0.15-16 K B
	87-017-931-080	ZENER,MTZJ5.6B		C604	87-A11-177-080		C-CAP,S 0.15-16 K B
	87-A40-523-080	ZENER,MTZJ9.1B		C605	87-010-180-080		C-CER 1500P
	87-A40-814-080	LED,SEL2E10C BLUE<C,F>		C606	87-010-180-080		C-CER 1500P
				C607	87-010-180-080		C-CER 1500P
				C608	87-010-180-080		C-CER 1500P
				C609	87-010-068-040		CAP E 0.22-50 5L
				C610	87-010-552-040		CAP,E 22-16 GAS
MAIN C.B				C611	87-010-198-080		CAP, CHIP 0.022
				C612	8Z-KT1-633-000		CAP,E 3300U-16 105 PW
				C613	87-010-553-040		CAP,E 47-16 GAS
C101	87-010-322-080	C-CAP,S 100P-50 CH		C614	87-010-196-080		CHIP CAPACITOR,0.1-25
C102	87-010-197-080	CAP, CHIP 0.01 DM		C615	87-010-196-080		CHIP CAPACITOR,0.1-25
C103	87-010-322-080	C-CAP,S 100P-50 CH					
C104	87-010-186-080	CAP,CHIP 4700P		C616	87-010-196-080		CHIP CAPACITOR,0.1-25
C105	87-010-490-040	CAP, ELECT 0.1-50		C617	87-010-196-080		CHIP CAPACITOR,0.1-25
C106	87-010-198-080	CAP, CHIP 0.022		C618	87-010-322-080		C-CAP,S 100P-50 CH
C107	87-010-553-040	CAP,E 47-16 GAS		C619	87-010-322-080		C-CAP,S 100P-50 CH
C108	87-010-196-080	CHIP CAPACITOR,0.1-25		C620	87-010-322-080		C-CAP,S 100P-50 CH
C109	87-010-553-040	CAP,E 47-16 GAS		C621	87-010-322-080		C-CAP,S 100P-50 CH
C110	87-010-194-080	CAP, CHIP 0.047		C622	87-010-322-080		C-CAP,S 100P-50 CH
C111	87-010-213-080	C-CAP,S 0.015-50 B<EXCEPT G,I>		C623	87-010-322-080		C-CAP,S 100P-50 CH
C111	87-010-198-080	C-CAP,S 0.022-25 KB<G,I>		C624	87-010-322-080		C-CAP,S 100P-50 CH
				C625	87-010-322-080		C-CAP,S 100P-50 CH

REF. NO	PART NO.	KANRI NO.	DESCRIPTION	REF. NO	PART NO.	KANRI NO.	DESCRIPTION
C626	87-010-196-080		CHIP CAPACITOR,0.1-25	L701	87-003-149-080		COIL,47UH
C701	87-010-490-040		CAP, ELECT 0.1-50	L801	8Z-KT1-615-010		FLTR,AMORPHOUS -CHOKE 370UH
C702	87-010-196-080		CHIP CAPACITOR,0.1-25	L1201	87-003-143-080		COIL 4.7 UH
C703	87-010-314-080		C-CAP,S 22P-50 CH	MIC901	8Z-KT1-643-090		MIC,EMC KUC2123-040245DB<A,G,H>
C704	87-010-315-080		C-CAP,S 27P-50 CH	PL801	8A-KT7-655-010		LAMP,9V-50MA
C705	87-010-196-080		CHIP CAPACITOR,0.1-25	SW701	87-A91-070-010		SW,TACT SKHHLV
C707	87-016-039-090		CAP,DL 0.022F-5.5 Z 70 FM	SW702	87-036-109-010		PUSH SWITCH
C708	87-010-322-080		C-CAP,S 100P-50 CH	SW703	87-A91-152-010		SW,SL 1-1-2 SSSS212-11-A
C709	87-010-322-080		C-CAP,S 100P-50 CH	TU101	8A-KC8-620-010		TU UNIT, FAE347-A11<A,B,C,D,E,F>
C710	87-010-178-080		CHIP CAP 1000P	TU101	8A-KC8-621-010		TU UNIT, FAE347-A12<G,H,I,J>
C711	87-010-197-080		CAP, CHIP 0.01 DM	W301	8A-KT5-611-010		F-CABLE,3P 40MM
C712	87-010-197-080		CAP, CHIP 0.01 DM	X701	87-A70-175-010		VIB,XTAL 4.5MHZ AT-49
C713	87-010-197-080		CAP, CHIP 0.01 DM				
C714	87-010-197-080		CAP, CHIP 0.01 DM				
C801	87-010-182-080		C-CAP,S 2200P-50 B				CONTROL C.B
C802	87-010-182-080		C-CAP,S 2200P-50 B	C251	87-010-553-040		CAP,E 47-16 GAS
C803	87-010-196-080		CHIP CAPACITOR,0.1-25	C252	87-012-141-080		CHIP-CAPACITOR,0.22-16F
C804	87-010-552-040		CAP,E 22-16 GAS	C253	87-012-141-080		CHIP-CAPACITOR,0.22-16F
C805	87-010-555-040		CAP,E 100-10 GAS	C254	87-010-196-080		CHIP CAPACITOR,0.1-25
C806	87-010-935-040		CAP,E 220-16 M VR	C255	87-012-141-080		CHIP-CAPACITOR,0.22-16F
C807	87-010-197-080		CAP, CHIP 0.01 DM	C256	87-010-497-040		CAP,E 4.7-35 GAS
C808	87-010-197-080		CAP, CHIP 0.01 DM	C257	87-010-197-080		CAP, CHIP 0.01 DM
C809	87-010-553-040		CAP,E 47-16 GAS	C258	87-010-553-040		CAP,E 47-16 GAS
C810	87-010-198-080		CAP, CHIP 0.022	CON251	87-099-203-010		CONN,10P 6216 H
C901	87-010-497-040		CAP,E 4.7-35 GAS<A,G,H>	CON252	87-A61-262-010		CONN,12P V B12B-ZR
C902	87-010-553-040		CAP,E 47-16 GAS<A,G,H>				
C903	87-A10-189-040		CAP,E 220-10<A,G,H>				EQ/DOLBY C.B<A,G,H>
C904	87-010-495-040		CAP,E 2.2-50 GAS<A,G,H>	C201	87-A11-550-080		CHIP CAP 820P-50 KB<A,G,H>
C905	87-010-497-040		CAP,E 4.7-35 GAS<A,G,H>	C202	87-A11-550-080		CHIP CAP 820P-50 KB<A,G,H>
C906	87-010-194-080		CAP, CHIP 0.047<A,G,H>	C203	87-A11-550-080		CHIP CAP 820P-50 KB<A,G,H>
C1107	87-010-197-080		CAP, CHIP 0.01 DM<A,B,C,D,E,F>	C204	87-A11-550-080		CHIP CAP 820P-50 KB<A,G,H>
C1201	87-010-805-080		CAP, S 1-16<G,H,I>	C205	87-010-426-080		CAP, CHIP 0.012 KB<A,G,H>
C1202	87-010-805-080		CAP, S 1-16<G,H,I,J>				
C1203	87-010-805-080		CAP, S 1-16<G,H,I,J>	C206	87-010-426-080		CAP, CHIP 0.012 KB<A,G,H>
C1204	87-010-805-080		CAP, S 1-16<G,H,I,J>	C207	87-010-494-040		CAP,E 1-50 GAS<A,G,H>
C1205	87-010-805-080		CAP, S 1-16	C208	87-010-196-080		CHIP CAPACITOR,0.1-25<A,G,H>
C1206	87-010-805-080		CAP, S 1-16	C209	87-010-196-080		CHIP CAPACITOR,0.1-25<A,G,H>
C1207	87-010-805-080		CAP, S 1-16	C210	87-010-494-040		CAP,E 1-50 M 5L SRE<A,G,H>
C1208	87-010-805-080		CAP, S 1-16				
C1209	87-010-805-080		CAP, S 1-16	C211	87-010-494-040		CAP,E 1-50 M 5L SRE<A,G,H>
C1210	87-010-805-080		CAP, S 1-16	C212	87-010-196-080		CHIP CAPACITOR,0.1-25<A,G,H>
C1211	87-010-805-080		CAP, S 1-16	C213	87-010-196-080		CHIP CAPACITOR,0.1-25<A,G,H>
C1212	87-010-805-080		CAP, S 1-16	C214	87-010-494-040		CAP,E 1-50 GAS<A,G,H>
C1213	87-012-140-080		CAP 470P<G,H,I,J>	C215	87-010-197-080		CAP, CHIP 0.01 DM<A,G,H>
C1214	87-012-140-080		CAP 470P<G,H,I,J>	C216	87-010-197-080		CAP, CHIP 0.01 DM<A,G,H>
C1215	87-012-140-080		CAP 470P	C218	87-010-555-040		CAP,E 100-10 GAS<A,G,H>
C1216	87-012-140-080		CAP 470P	C219	87-010-196-080		CHIP CAPACITOR,0.1-25<A,G,H>
C1217	87-010-112-040		CAP,E 100-16 SME<G,H,I,J>	C220	87-A11-548-080		C-CAP,S 560P-50 KB<A,G,H>
C1218	87-010-555-040		CAP,E 100-10 GAS<G,H,I,J>	C221	87-A11-548-080		C-CAP,S 560P-50 KB<A,G,H>
C1219	87-010-322-080		C-CAP,S 100P-50 CH				
C1301	87-010-198-080		CAP, CHIP 0.022<A,B,C,D,E,F>	C222	87-010-494-040		CAP,E 1-50 GAS<A,G,H>
CN801	8Z-KT1-624-010		CONN,16P SOC017<G,H,I,J>	C223	87-010-494-040		CAP,E 1-50 GAS<A,G,H>
CN1101	8Z-KTH-613-010		CONN,3P HEADER-ANGLE<A,B,C,D,E,F>	C224	87-010-497-040		CAP,E 4.7-35 GAS<A,G,H>
CN1102	8Z-KTH-613-010		CONN,3P HEADER-ANGLE<A,B,C,D,E,F>	C225	87-010-497-040		CAP,E 4.7-35 GAS<A,G,H>
CNA201	8A-KT7-651-010		CONN ASSY,5P MAIN-EQ	C226	87-010-497-040		CAP,E 4.7-35 GAS<A,G,H>
CNA251	8A-KT5-661-010		CONN ASSY,12P MAIN-CONTROL				
CNA801	8A-KT1-631-010		CONN ASSY,8P ISO-BLACK-<A,B,C,D,E,F>	CON201	87-009-349-010		CONN,6P PH H<A,G,H>
CNA802	8A-KT1-632-010		CONN ASSY,8P ISO-WHITE-A<A,B,C,D,E,F>	CON202	87-A61-260-010		CONN,9P V B9B-ZR<A,G,H>
CNA1401	8A-KT5-654-010		CONN ASSY,6P MAIN-TAKE UP	SVR201	87-024-433-080		SFR,10K RH063EC<A,G,H>
CNA1402	8A-KT5-652-010		CONN ASSY,10P MAIN-TAKE UP	SVR202	87-024-433-080		SFR,10K RH063EC<A,G,H>
F801	8Z-KC1-621-010		FUSE,15A 32V				
J101	8Z-KT1-614-010		ANT,AW-002				
J401	8A-KC7-620-010		JACK,DIN 13 P SKDS1302<EXCEPT D,E,F>				
J1201	88-KTA-604-010		JACK,PIN 4P V-TYPE<B,C>	C276	87-010-552-040		CAP,E 22-16 GAS<EXCEPT A,G,H>
J1201	87-A61-224-010		JACK,PIN 4P XR-401<EXCEPT B,C>	C277	87-010-426-080		C-CAP,S 0.012-25 B<EXCEPT A,G,H>
L101	87-003-143-080		COIL 4.7 UH	C278	87-010-426-080		C-CAP,S 0.012-25 B<EXCEPT A,G,H>
L102	8Z-KT1-619-010		COIL,68MH K7-D	C279	87-010-494-040		CAP,E 1-50 GAS<EXCEPT A,G,H>
L301	87-003-143-080		COIL 4.7 UH	C280	87-010-494-040		CAP,E 1-50 GAS<EXCEPT A,G,H>

REF. NO	PART NO.	KANRI NO.	DESCRIPTION	REF. NO	PART NO.	KANRI NO.	DESCRIPTION
C281	87-010-555-040		CAP, E 100-10 GAS<EXCEPT A, G, H>	PL1003	8A-KT7-655-010		LAMP, 9V-50MA<B, D, E, I, J>
C282	87-010-497-040		CAP, E 4.7-35 GAS<EXCEPT A, G, H>	SW1001	87-A90-001-080		C-SW, TACT SKQMAL
C283	87-010-498-040		CAP, E 10-16 GAS<EXCEPT A, G, H>	SW1002	87-036-251-080		SW, T CT 6X3.5 160
C284	87-010-494-040		CAP, E 1-50 GAS<EXCEPT A, G, H>	SW1003	87-036-251-080		SW, T CT 6X3.5 160
C285	87-010-494-040		CAP, E 1-50 GAS<EXCEPT A, G, H>	SW1004	87-A90-001-080		C-SW, TACT SKQMAL
C286	87-010-553-040		CAP, E 47-16 GAS<EXCEPT A, G, H>	SW1005	87-036-251-080		SW, T CT 6X3.5 160
CON271	87-009-349-010		CONN, 6P PH H<EXCEPT A, G, H>	SW1006	87-036-251-080		SW, T CT 6X3.5 160
CON272	87-A61-259-010		CONN, 5P V B5B-ZR<EXCEPT A, G, H>	SW1007	87-036-251-080		SW, T CT 6X3.5 160
				SW1008	87-036-251-080		SW, T CT 6X3.5 160
				SW1009	87-A90-001-080		C-SW, TACT SKQMAL
HEAD C.B				SW1010	87-036-251-080		SW, T CT 6X3.5 160
				SW1011	87-036-251-080		SW, T CT 6X3.5 160
TAKE UP C.B				SW1012	87-A90-001-080		C-SW, TACT SKQMAL
				SW1013	87-036-251-080		SW, T CT 6X3.5 160
SW1017	87-036-220-080		C-SW, T	SW1014	87-A90-001-080		C-SW, TACT SKQMAL
CN1403	8Z-KT1-613-010		CONN, 16P CAM-C74				
CON1401	87-009-411-010		CONN, 6P ZH V	SW1015	87-036-251-080		SW, T CT 6X3.5 160
CON1402	87-A61-261-010		CONN, 10P V B10B-ZR	SW1016	87-A91-597-010		SW, RTRY SIM-026MT
FRONT C.B				AUX C.B			
C1001	87-010-805-080		CAP, S 1-16	J1401	85-HRL-623-010		JACK, 3.5 ST BLK
C1002	87-010-194-080		CAP, CHIP 0.047<EXCEPT A, G, H>	RDS C.B<A, B, C, D, E, F>			
C1002	87-010-196-080		CHIP CAPACITOR, 0.1-25<A, G, H>	C1101	87-012-149-080		C-CAP, S 30P-50 CH<A, B, C, D, E, F>
C1003	87-010-194-080		CAP, CHIP 0.047	C1102	87-010-315-080		C-CAP, S 27P-50 CH<A, B, C, D, E, F>
C1004	87-010-194-080		CAP, CHIP 0.047<A, G, H>	C1103	87-010-175-080		CAP 560P<A, B, C, D, E, F>
C1004	87-010-176-010		CAP, S 680P-50<EXCEPT A, G, H>	C1104	87-010-196-080		CHIP CAPACITOR, 0.1-25<A, B, C, D, E, F>
C1005	87-010-194-080		CAP, CHIP 0.047<A, G, H>	C1105	87-012-157-080		C-CAP, S 330P-50 CH<A, B, C, D, E, F>
C1005	87-010-805-080		CAP, S 1-16<EXCEPT A, G, H>	C1106	87-010-495-040		CAP, E 2.2-50 GAS<A, B, C, D, E, F>
C1006	87-012-156-010		C-CAP, S 220P-50 CH<A, G, H>	SVR1101	87-024-437-080		SFR100K, RH063EC<A, B, C, D, E, F>
C1006	87-010-194-080		CAP, CHIP 0.047<EXCEPT A, G, H>	X1101	87-A70-091-010		VIB, XTAL 4.332MHZ CSA-309<A, B, C, D, E, F>
C1007	87-010-805-080		CAP, S 1-16<A, G, H>	LED C.B<C, F>			
CON1001	8Z-KT1-612-010		CONN, 16P CAM-C73	LED1008	87-A40-814-080		C-LED, SEL2E10C BLUE<C, F>
LCD1001	8A-KC7-610-010		LCD, AKC-7 (DOT) <A, G, H>	MECHA C.B			
LCD1001	8A-KC8-611-010		LCD, AKC-2/8 (NO COLOR) <C, F>				
LCD1001	8A-KT7-610-010		LCD, AKT-3/4/7 (3COLOR) <B, D, E, I, J>				
LED1001	87-017-827-070		C-LED, SEC 1201C RED				
LED1002	87-017-827-070		C-LED, SEC 1201C RED				
LED1003	87-017-827-070		C-LED, SEC 1201C RED				
LED1004	87-A40-813-040		C-LED, SEC1E01C BLUE				
LED1005	87-A40-813-040		C-LED, SEC1E01C BLUE				
LED1006	87-A40-813-040		C-LED, SEC1E01C BLUE				
LED1007	87-A40-814-080		C-LED, SEL2E10C BLUE<C, F>				
PL1002	8Z-KT1-651-010		LAMP, 9V-85MA<A, G, H>				
PL1002	8A-KT7-655-010		LAMP, 9V-50MA<B, D, E, I, J>				
PL1003	8Z-KT1-651-010		LAMP, 9V-85MA<A, G, H>				

チップ抵抗部品コード/CHIP RESISTOR PART CODE



チップ抵抗 Chip resistor

容量 Wattage	種類 Type	許容誤差 Tolerance	記号 Symbol	寸法/Dimensions (mm)			抵抗コード : A Resistor Code : A	
				外形/Form	L	W		t
1/16W	1005	± 5%	CJ		1.0	0.5	0.35	104
1/16W	1608	± 5%	CJ		1.6	0.8	0.45	108
1/10W	2125	± 5%	CJ		2	1.25	0.45	118
1/8W	3216	± 5%	CJ		3.2	1.6	0.55	128

TRANSISTOR ILLUSTRATION



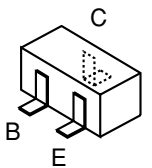
ECB
KTC3203



ECB
KRA226M
KTA1273



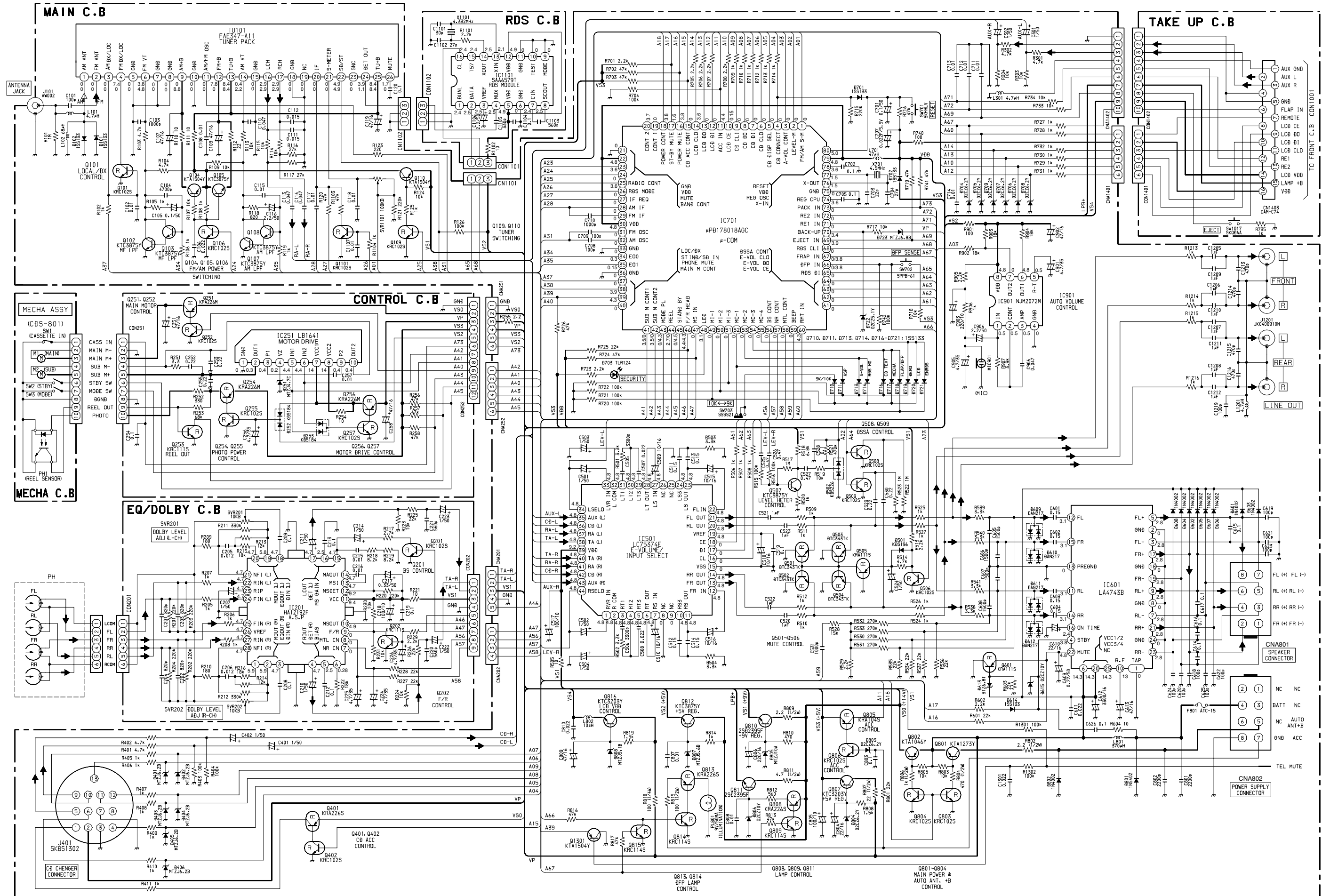
BCE
2SD2395
KTA1046



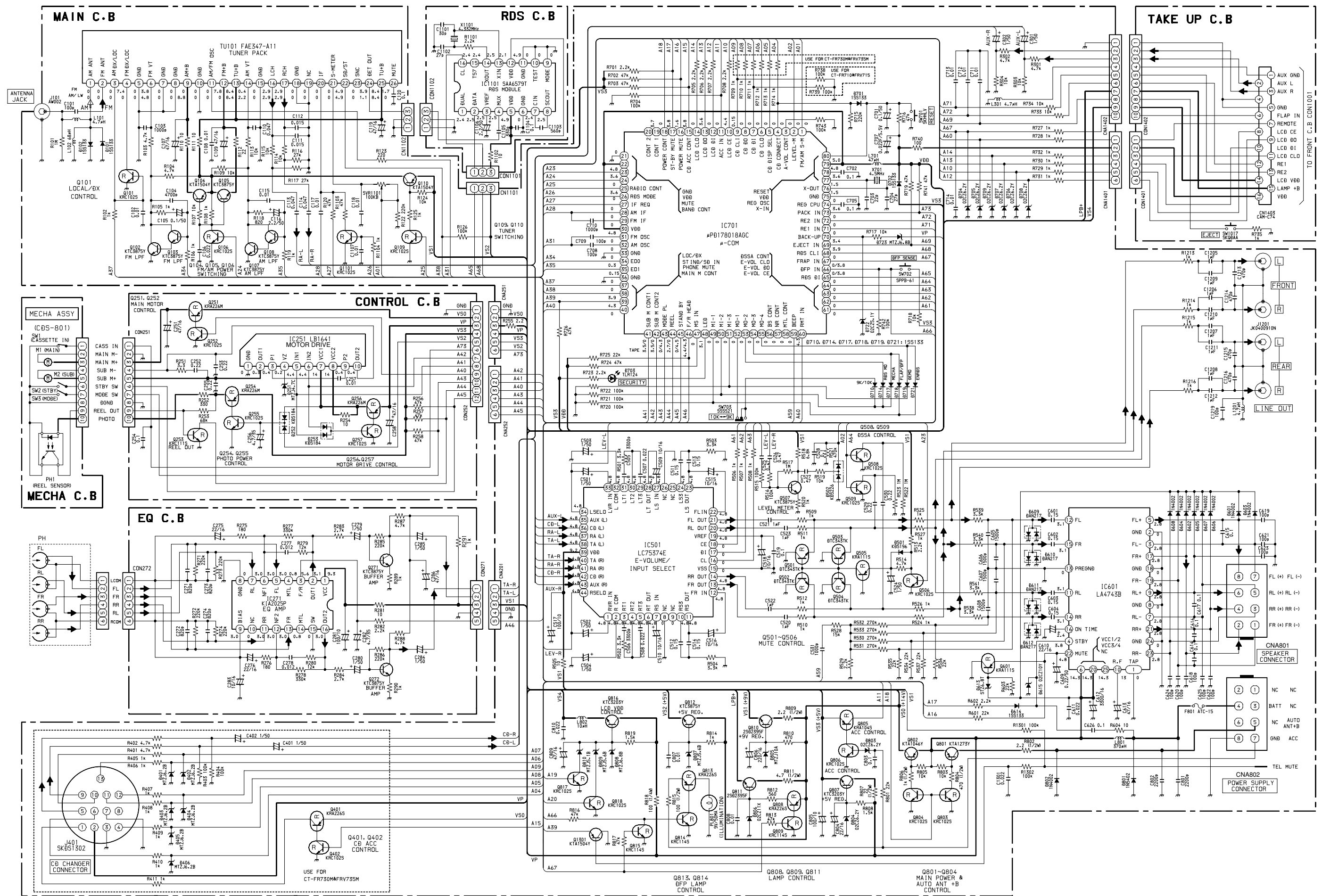
DTC343TK
KRA104S
KRA111S
KRA226S
KRC102S
KRC111S
KRC114S
KTA1504
KTC3875

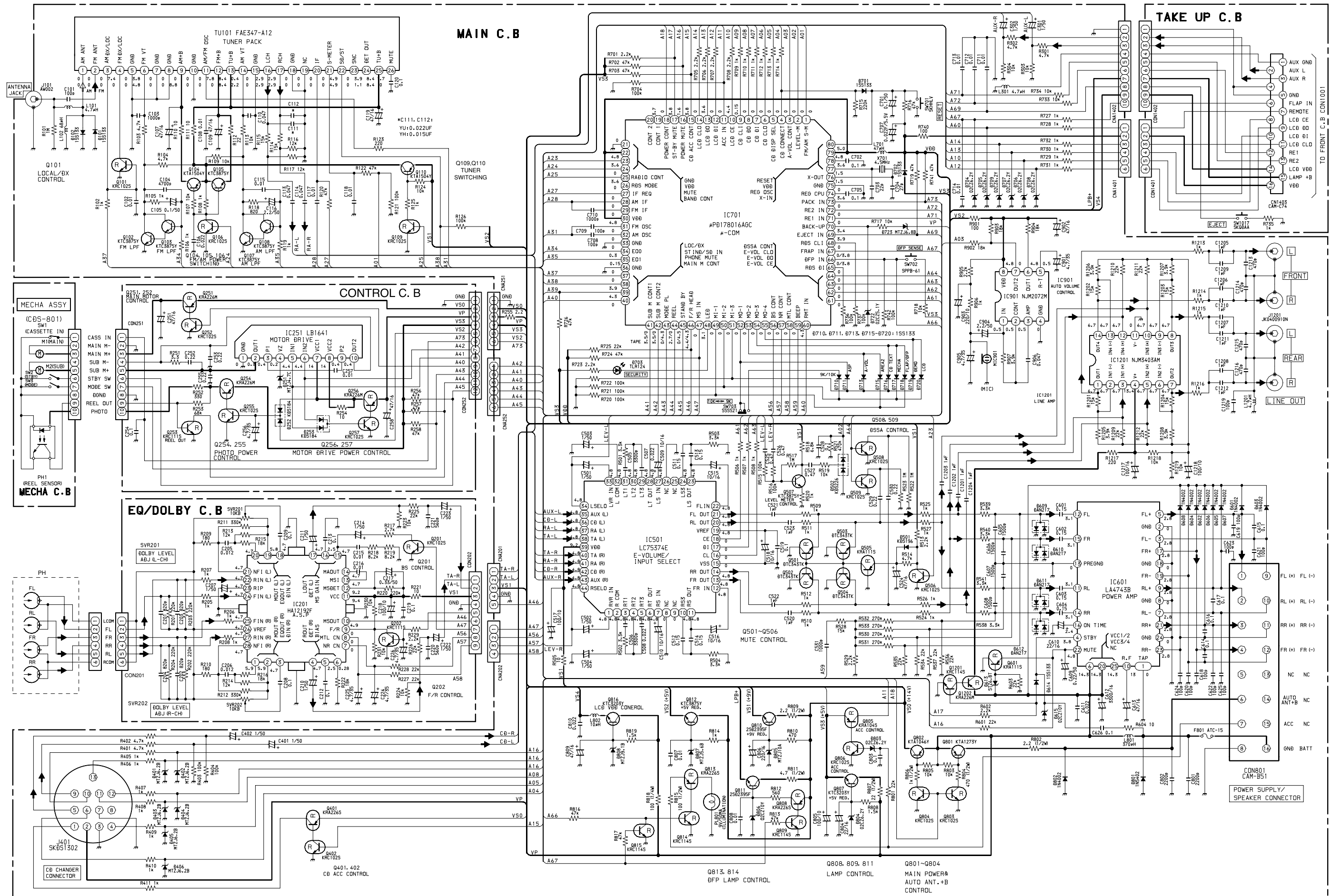
TYPE	MODEL NAME	SUFFIX
A	CT-FR930M	YZ
B	CT-FR730M	YZ
C	CT-FRV735M	YZ
D	CT-FR707	YZ
E	CT-FR710	YZ
F	CT-FRV715	YZ
G	CT-FX930M	YU
H	CT-FX930M	YH
I	CT-FX730M	YU
J	CT-FX730M	YH

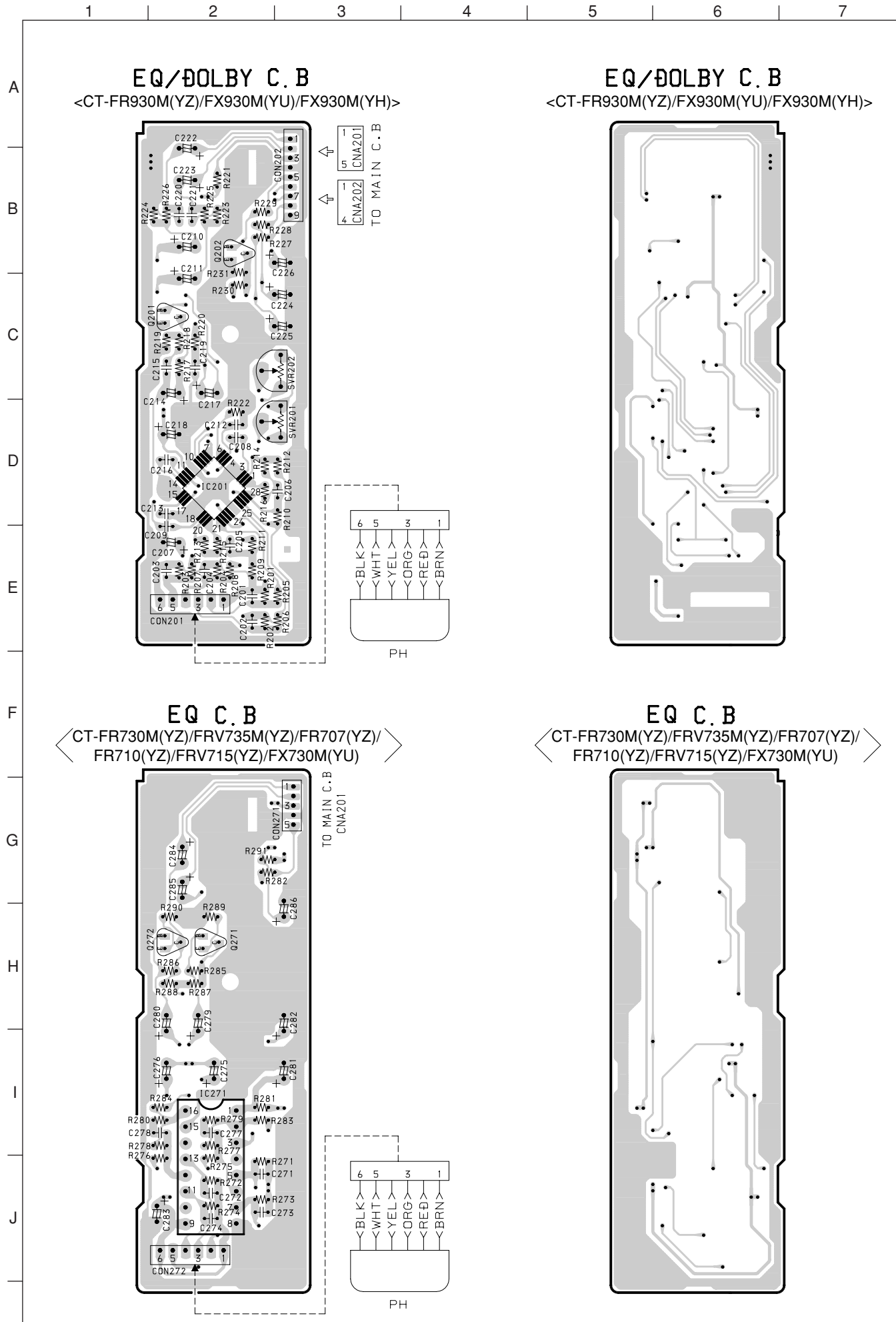
SCHEMATIC DIAGRAM-1 [CT-FR930M YZ]



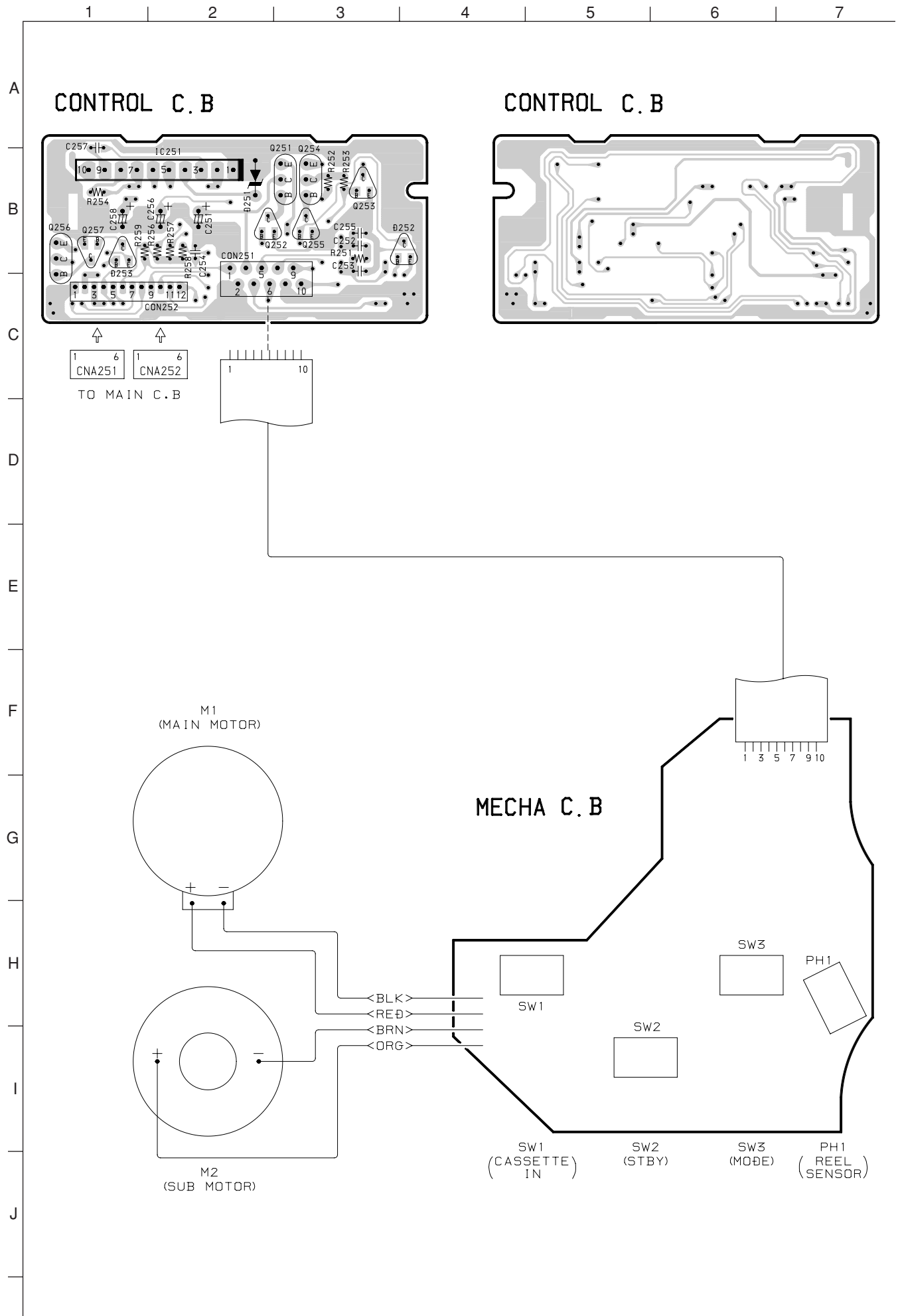
SCHEMATIC DIAGRAM-2 [CT-FR730M YZ, FRV735M YZ, FR707 YZ, FR710 YZ, FRV715 YZ]

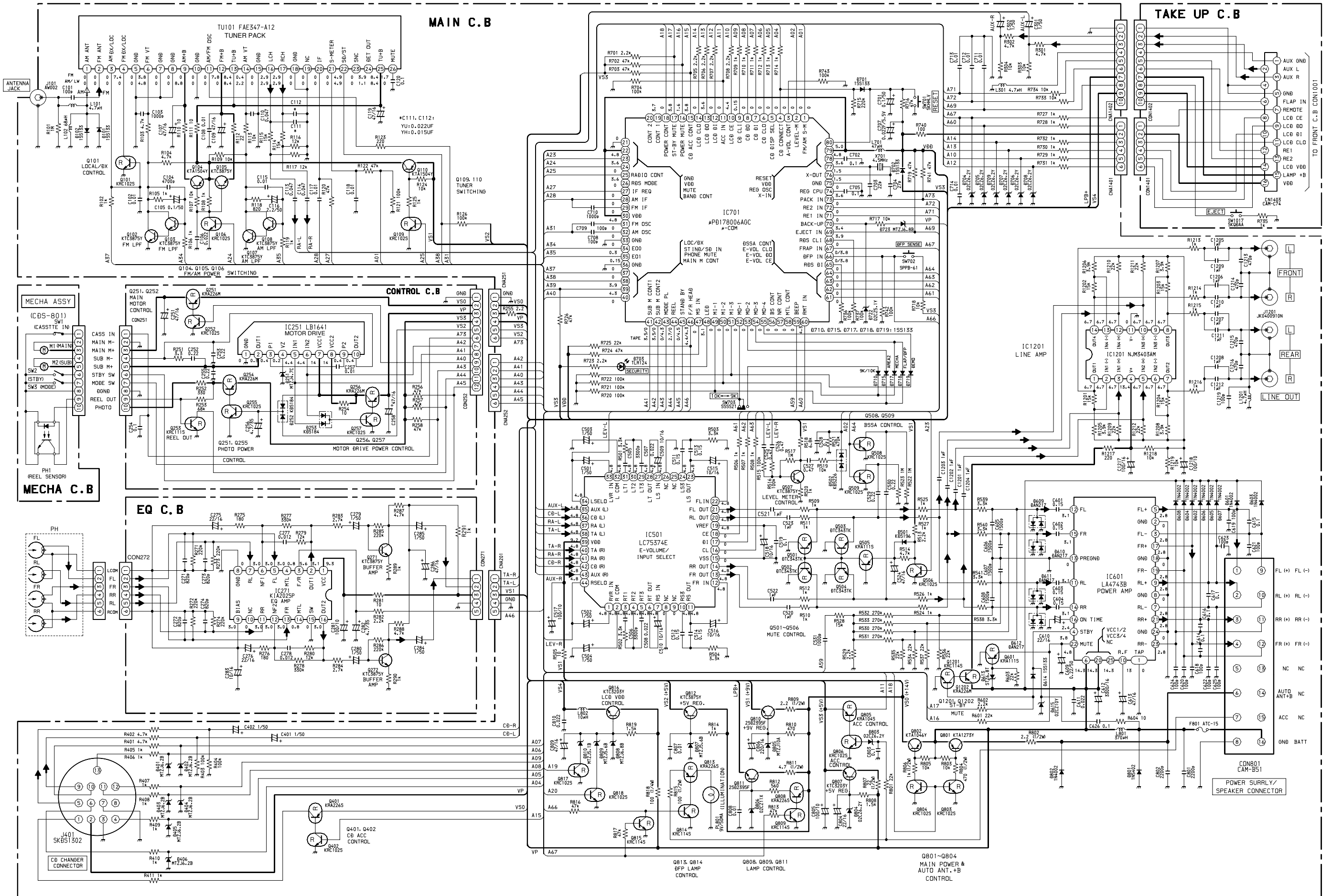






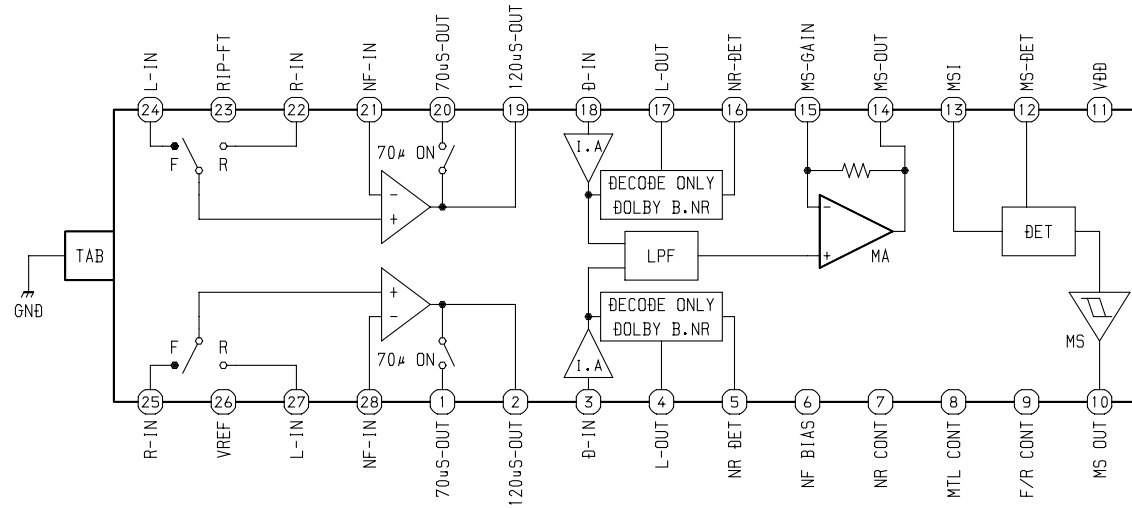
WIRING-2 [CONTROL, MECHA C.B.]



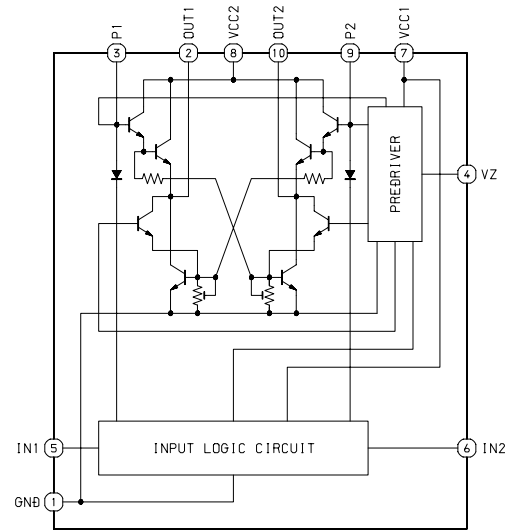


IC BLOCK DIAGRAM-1

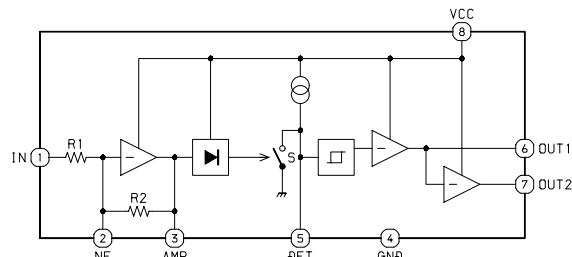
IC, HA12192F



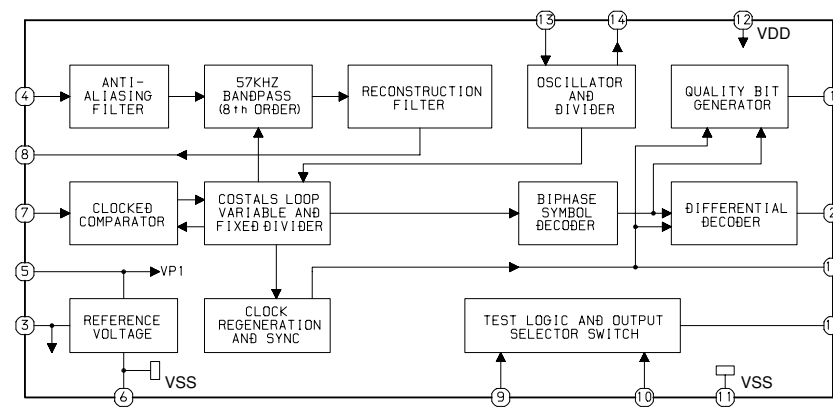
IC, LB1641



IC, NJM2072M



IC, SAA6579T



DIFFERENCE TABLE

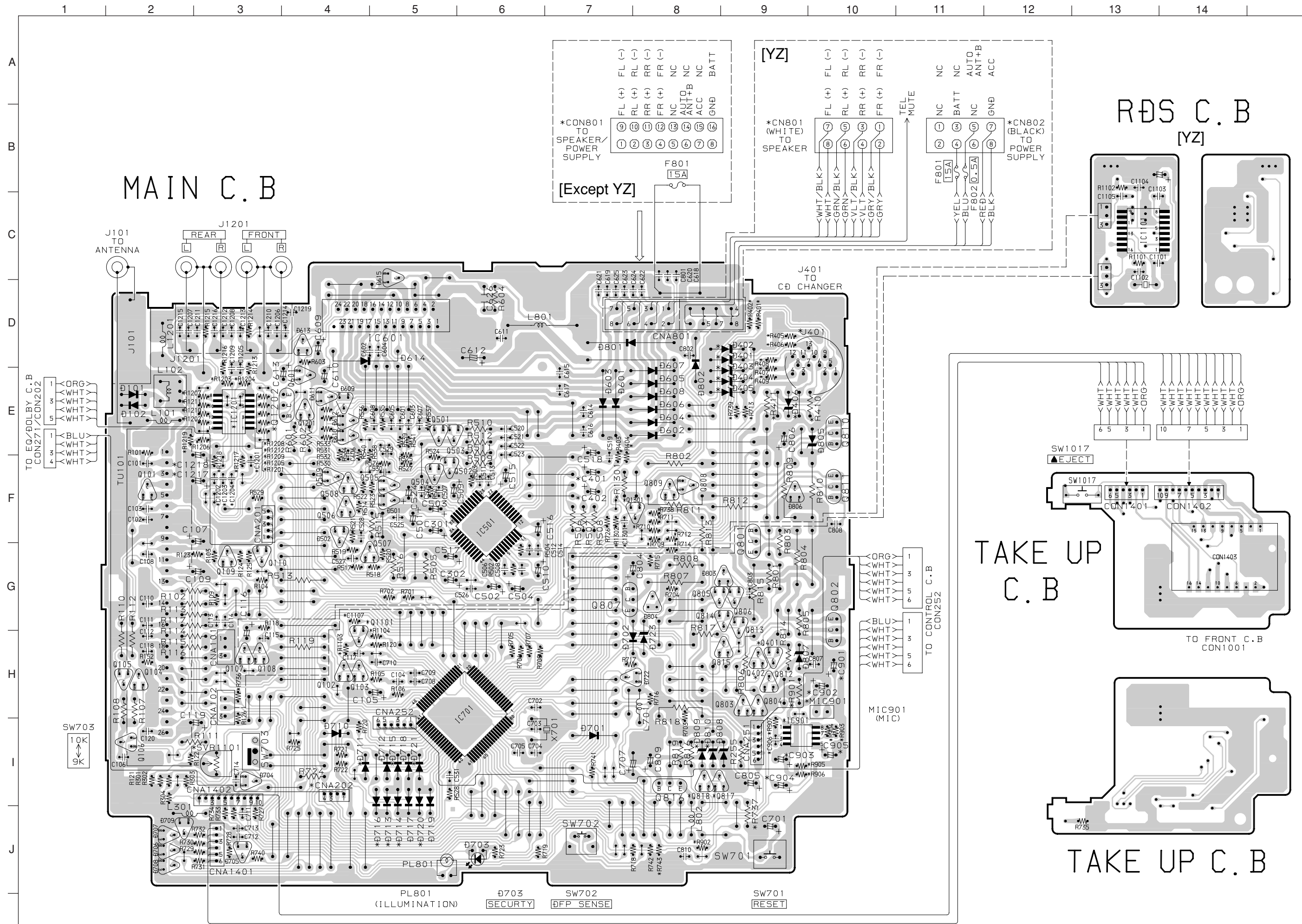
[This table lists the different components marked with asterisks (*) in the MAIN CB]

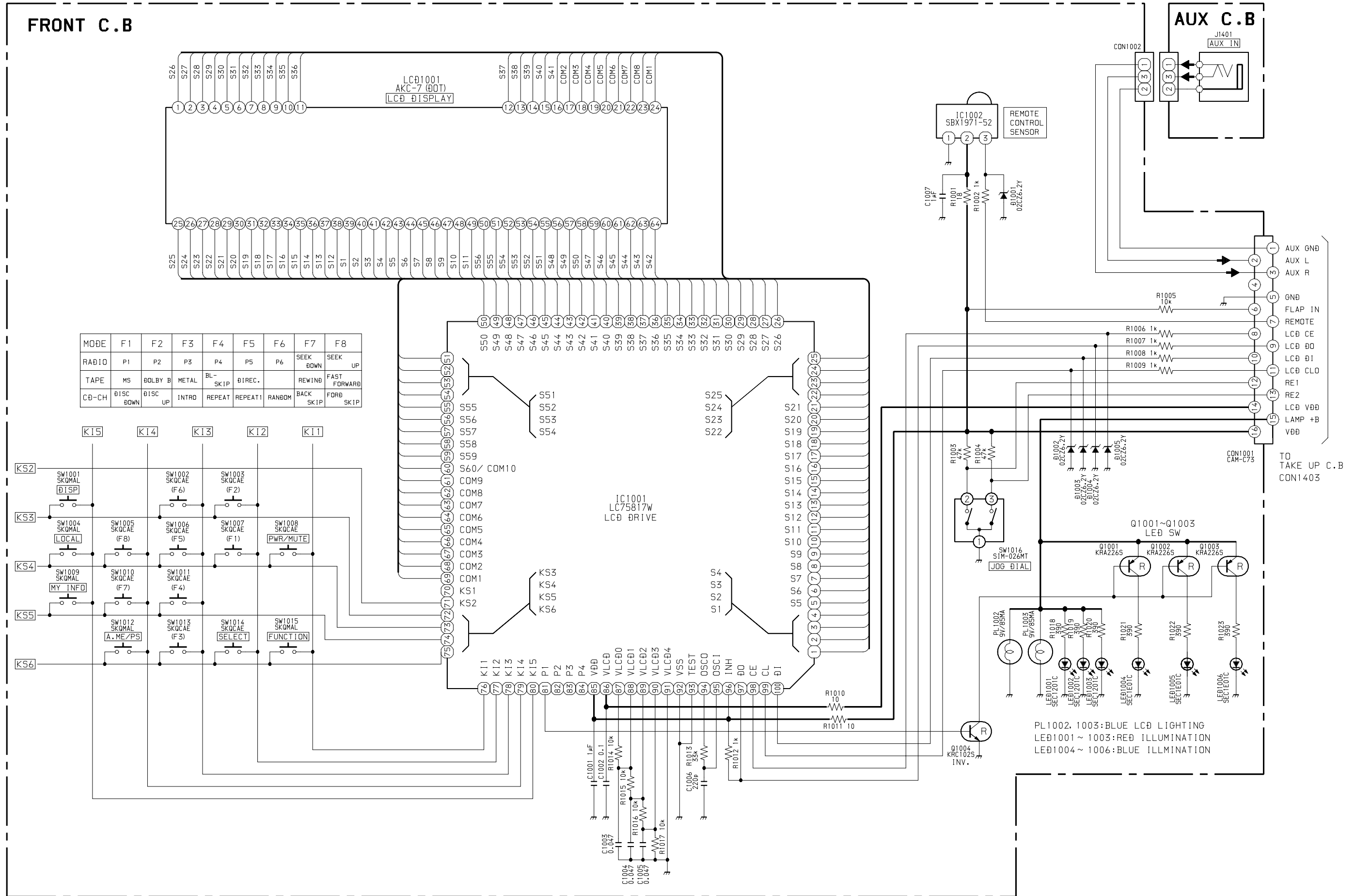
Ref No.	A	B	C	D	E	F	G	H	I	J
C401	A	B	C				G	H	I	J
C402	A	B	C				G	H	I	J
C901	A						G	H		
C902	A						G	H		
C903	A						G	H		
C904	A						G	H		
C905	A						G	H		
C906	A						G	H		
C1107	A	B	C	D	E	F				
C1201							G	H	I	J
C1202							G	H	I	J
C1203							G	H	I	J
C1204							G	H	I	J
C1213							G	H	I	J
C1214							G	H	I	J
C1217							G	H	I	J
C1218							G	H	I	J
C1301	A	B	C	D	E	F				
CN801	A	B	C	D	E	F				
CN802	A	B	C	D	E	F				
CNA202	A						G	H		
CON801							G	H	I	J
D401	A	B	C				G	H	I	J
D402	A	B	C				G	H	I	J
D403	A	B	C				G	H	I	J
D404	A	B	C				G	H	I	J
D405	A	B	C				G	H	I	J
D406	A	B	C				G	H	I	J
D711	A						G	H		
D713	A						G	H		
D714	A	B	C	D	E	F				
D715							G	H	I	J
D716	A						G	H		
D720	A						G	H		
D809		B	C	D	E	F			I	J
D810		B	C	D	E	F			I	J
D721	A	B	C	D	E	F				
IC901	A						G	H		
IC1201							G	H	I	J
J401	A	B	C				G	H	I	J
Q401	A	B	C				G	H	I	J
Q402	A	B	C				G	H	I	J
Q817		B	C	D	E	F			I	J
Q818		B	C	D	E	F			I	J
Q1101	A	B	C	D	E	F				
Q1201							G	H	I	J
Q1202							G	H	I	J
Q1301	A	B	C	D	E	F				
R401	A	B	C				G	H	I	J

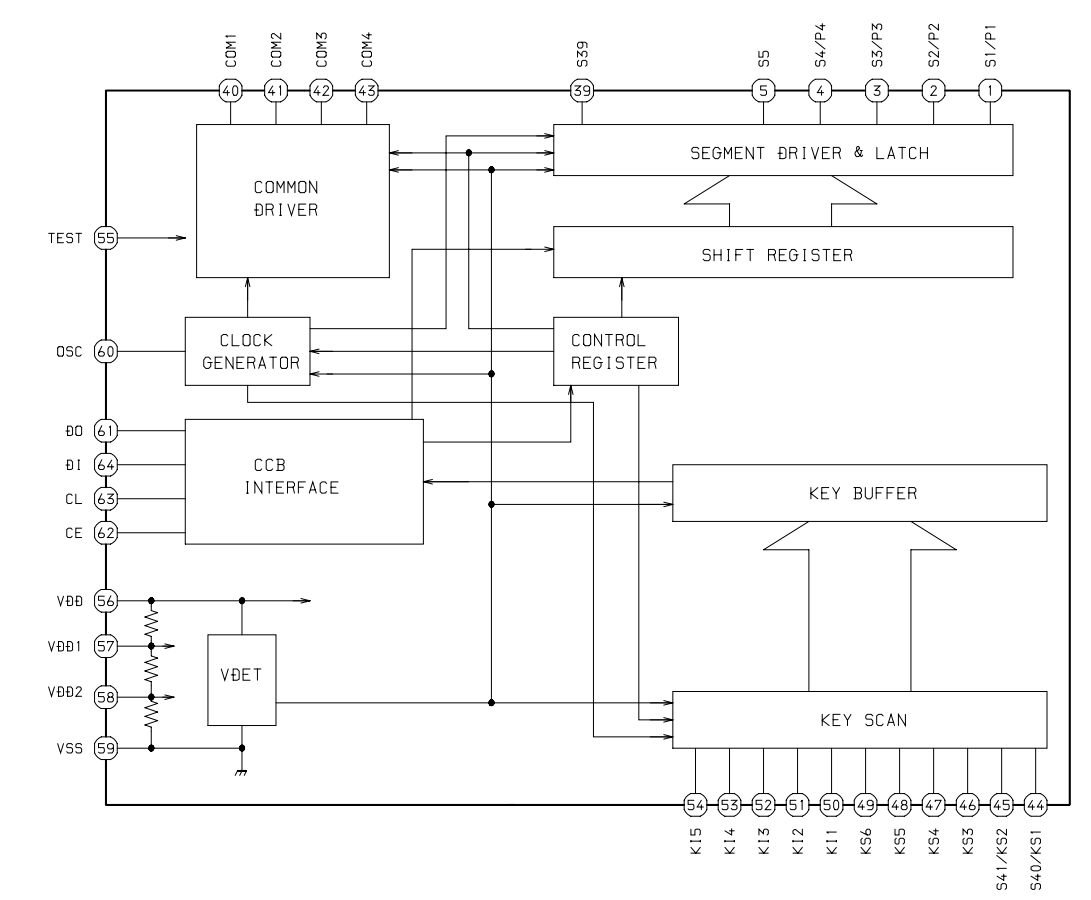
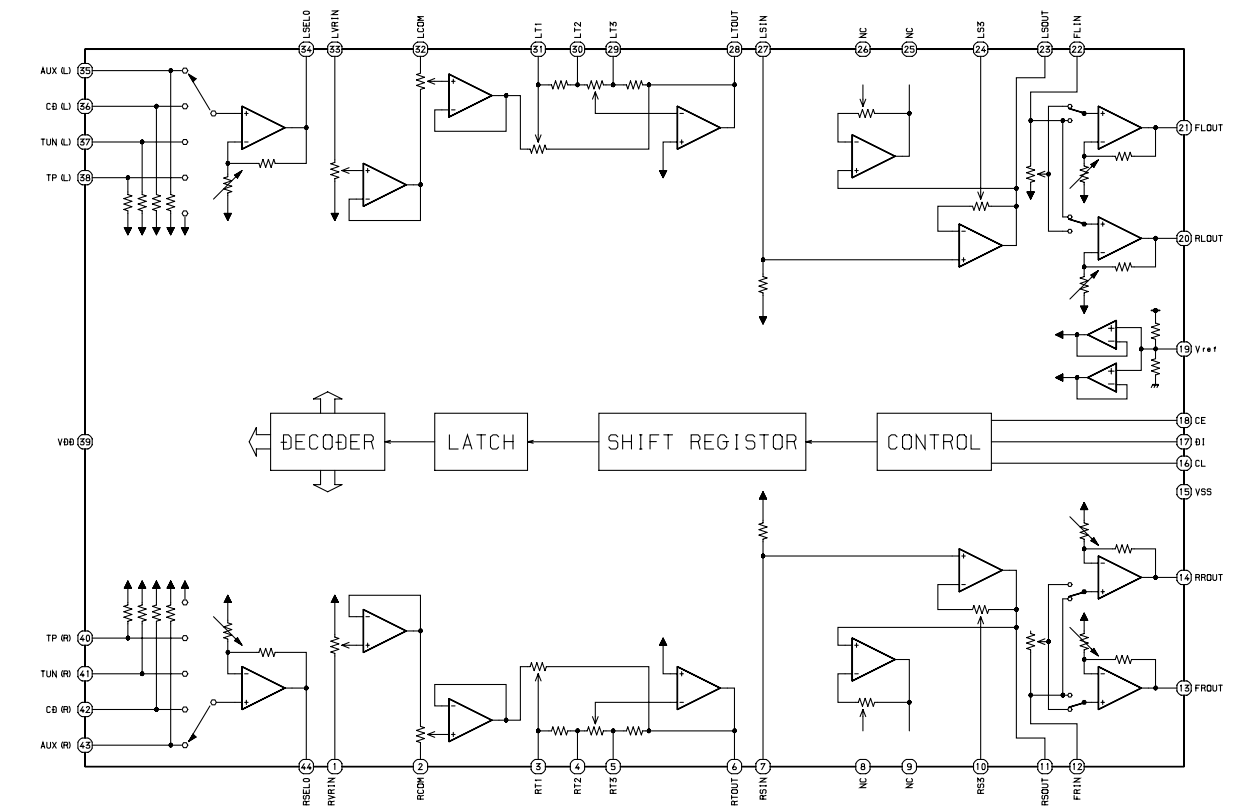
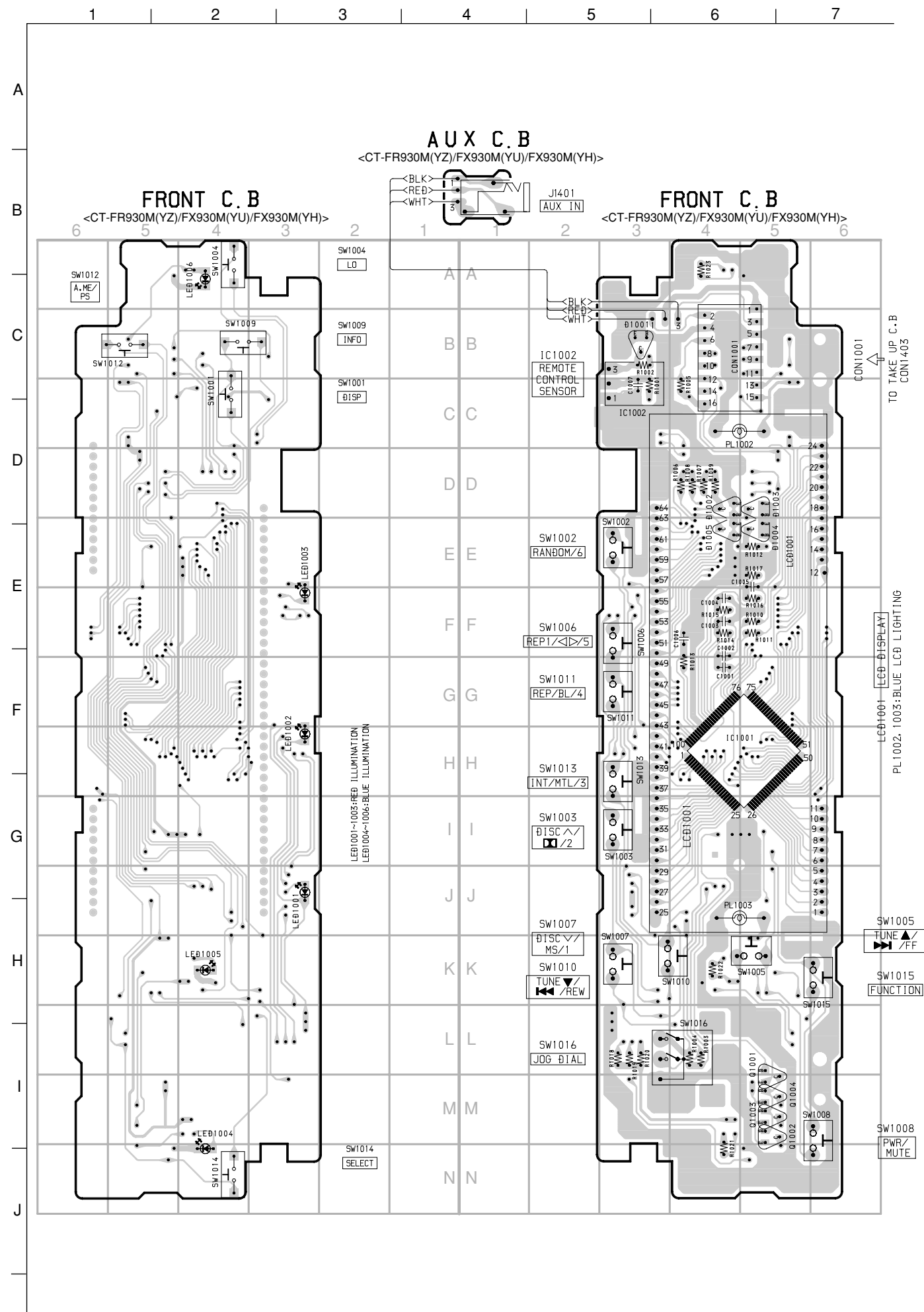
Ref No.	A	B	C	D	E	F	G	H	I	J
R402	A	B	C				G	H	I	J
R403	A	B	C				G	H	I	J
R404	A	B	C				G	H	I	J
R405	A	B	C				G	H	I	J
R406	A	B	C				G	H	I	J
R407	A	B	C				G	H	I	J
R408	A	B	C				G	H	I	J
R409	A	B	C				G	H	I	J
R410	A	B	C				G	H	I	J
R411	A	B	C				G	H	I	J
R709	A	B	C				G	H	I	J
R710	A	B	C				G	H	I	J
R711	A	B	C				G	H	I	J
R712	A	B	C				G	H	I	J
R713	A	B	C				G	H	I	J
R714	A	B	C				G	H	I	J
R736							G	H	I	J
R737							G	H	I	J
R738					E	F				
R739					E	F				
R743		B	C	D	E	F			I	J
R901	A						G	H		
R902	A						G	H		
R903	A						G	H		
R904	A						G	H		
R905	A						G	H		
R906	A						G	H		
R907	A						G	H		
R1103	A	B	C	D	E	F				
R1104	A	B	C	D	E	F				
R1201							G	H	I	J
R1202							G	H	I	J
R1203							G	H	I	J
R1204							G	H	I	J
R1205							G	H	I	J
R1206							G	H	I	J
R1207							G	H	I	J
R1208							G	H	I	J
R1209							G	H	I	J
R1210							G	H	I	J
R1211							G	H	I	J
R1212							G	H	I	J
R1217							G	H	I	J
R1218							G	H	I	J
R1219							G	H	I	J
R1301	A	B	C	D	E	F				
R1302	A	B	C	D	E	F				
SVR1101	A	B	C	D	E	F				

TYPE	MODEL NAME	SUFFIX
A	CT-FR930M	YZ
B	CT-FR730M	YZ
C	CT-FRV735M	YZ
D	CT-FR707	YZ
E	CT-FR710	YZ
F	CT-FRV715	YZ
G	CT-FX930M	YU
H	CT-FX930M	YH
I	CT-FX730M	YU
J	CT-FX730M	YH

WIRING-3 (MAIN C.B.)

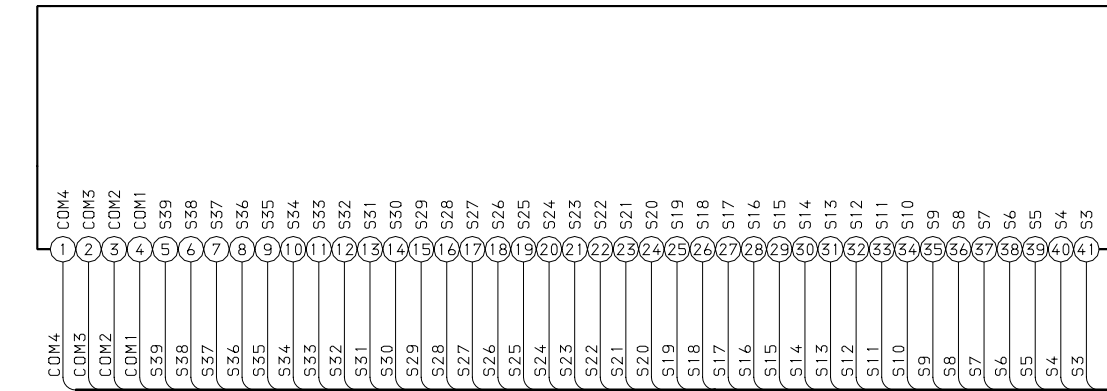






FRONT C.B

LCD1001 AKC-2/8(NO COLOR) <CT-FRV735M YZ,FRV715 YZ>
 LCD1001 AKT3/4/7(3 COLOR) <CT-FR730M YZ,FR707 YZ,CT-FR710 YZ,FX730M YU,YH>
 LCD DISPLAY



MODE	F1	F2	F3	F4	F5	F6	F7	F8
RADIO	P1	P2	P3	P4	P5	SEEK DOWN	SEEK UP	
TAPE	M5	DOLBY B	METAL	BL-SKIP	DIREC.	REWIND	FAST FORWARD	
CD-CH	DISC DOWN	DISC UP	INTRO	REPEAT	REPEAT1	RANDOM	BACK SKIP	FORW SKIP

K15 K14 K13 K12 K11

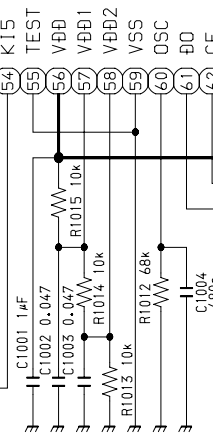
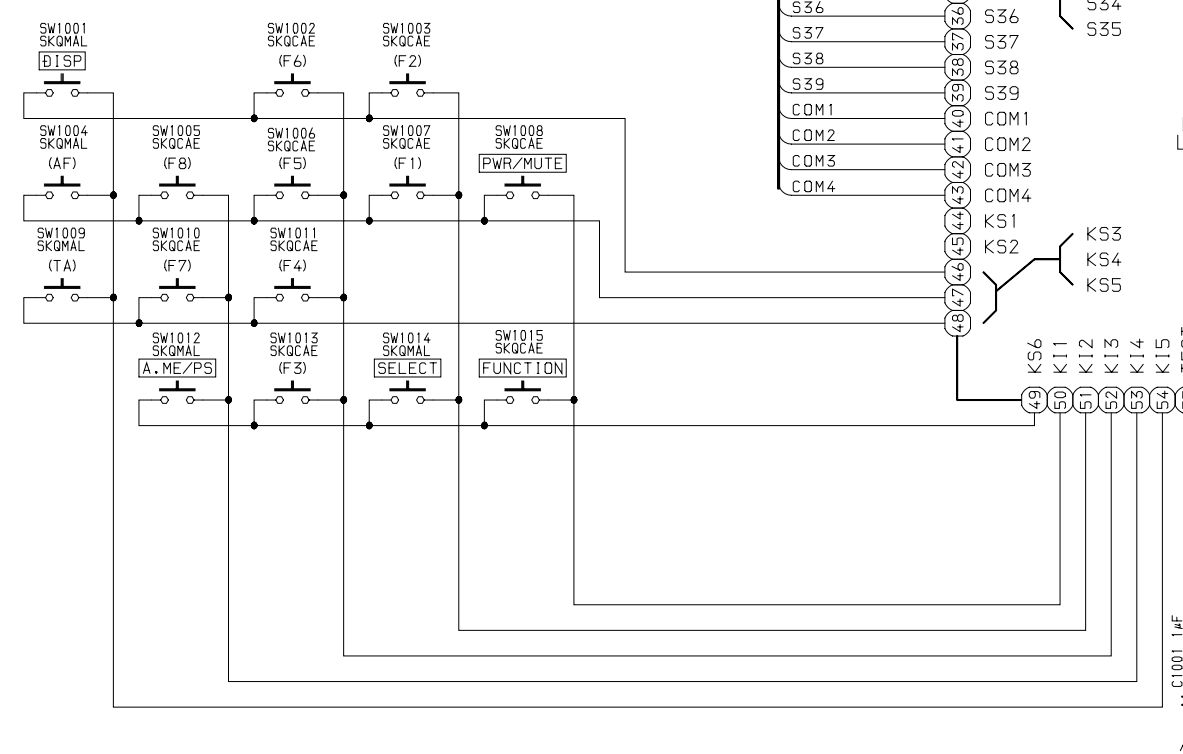
KS2

KS3

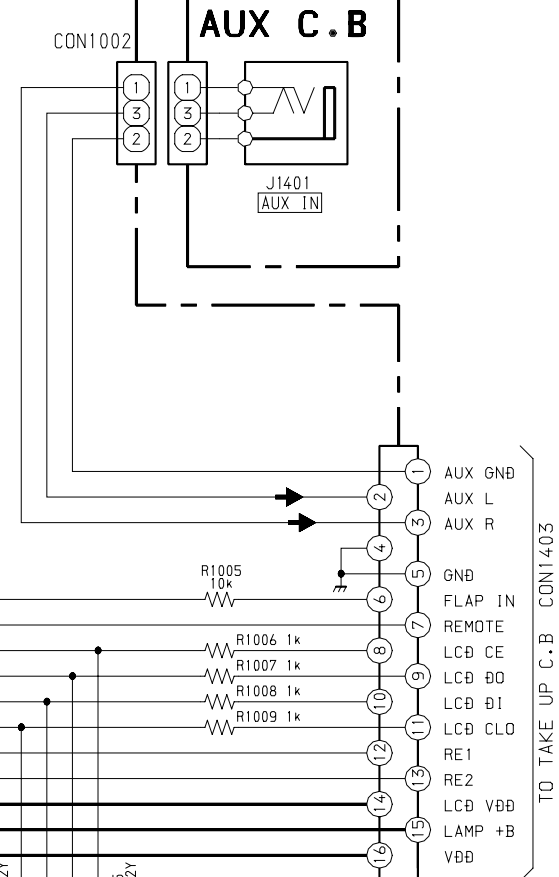
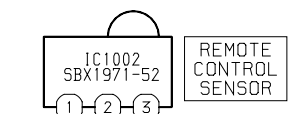
KS4

KS5

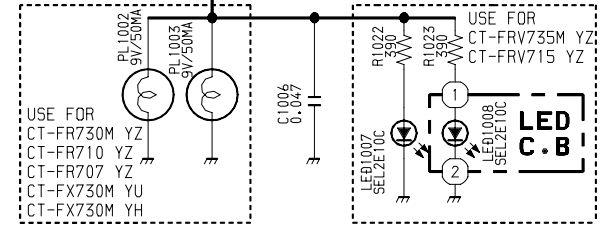
KS6



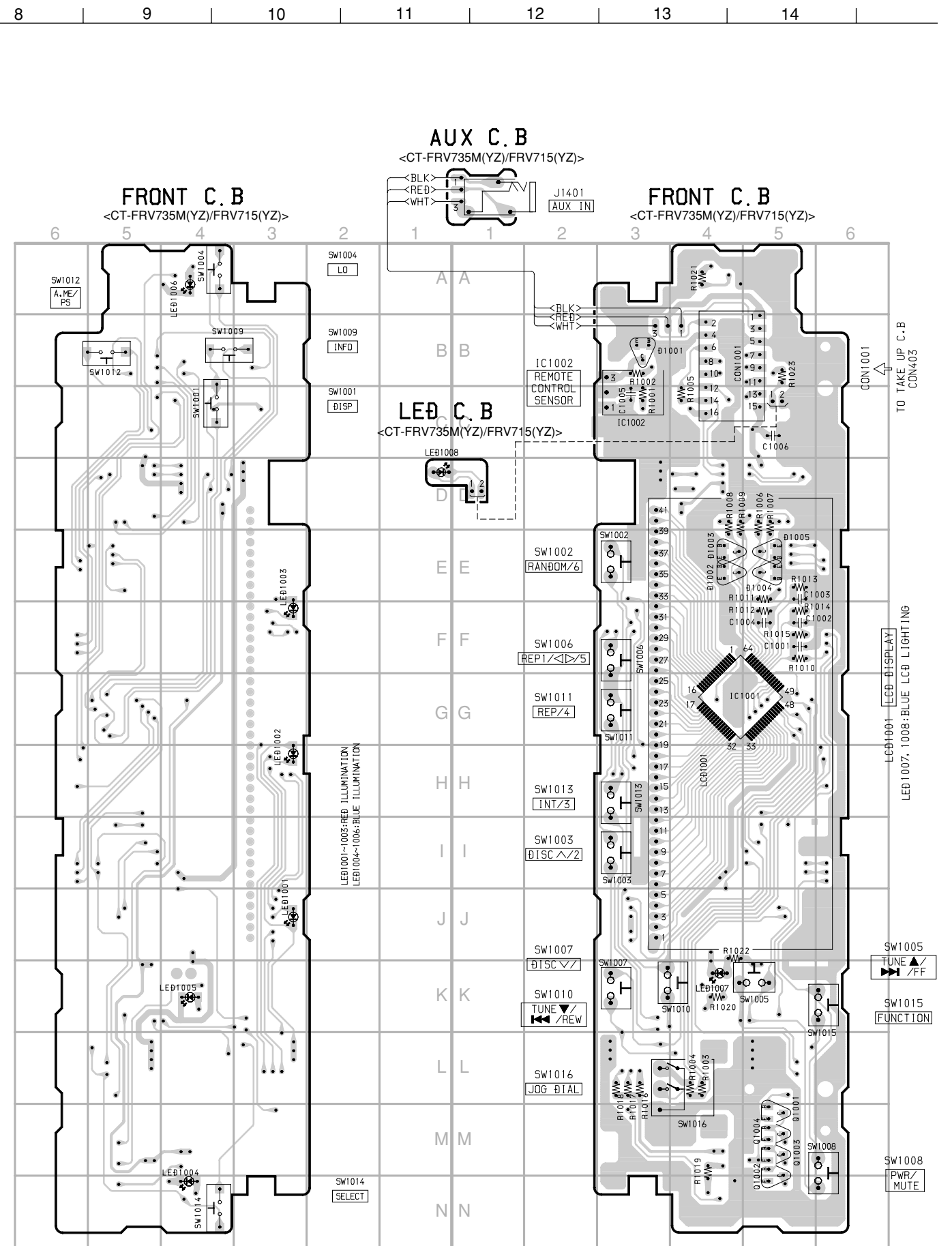
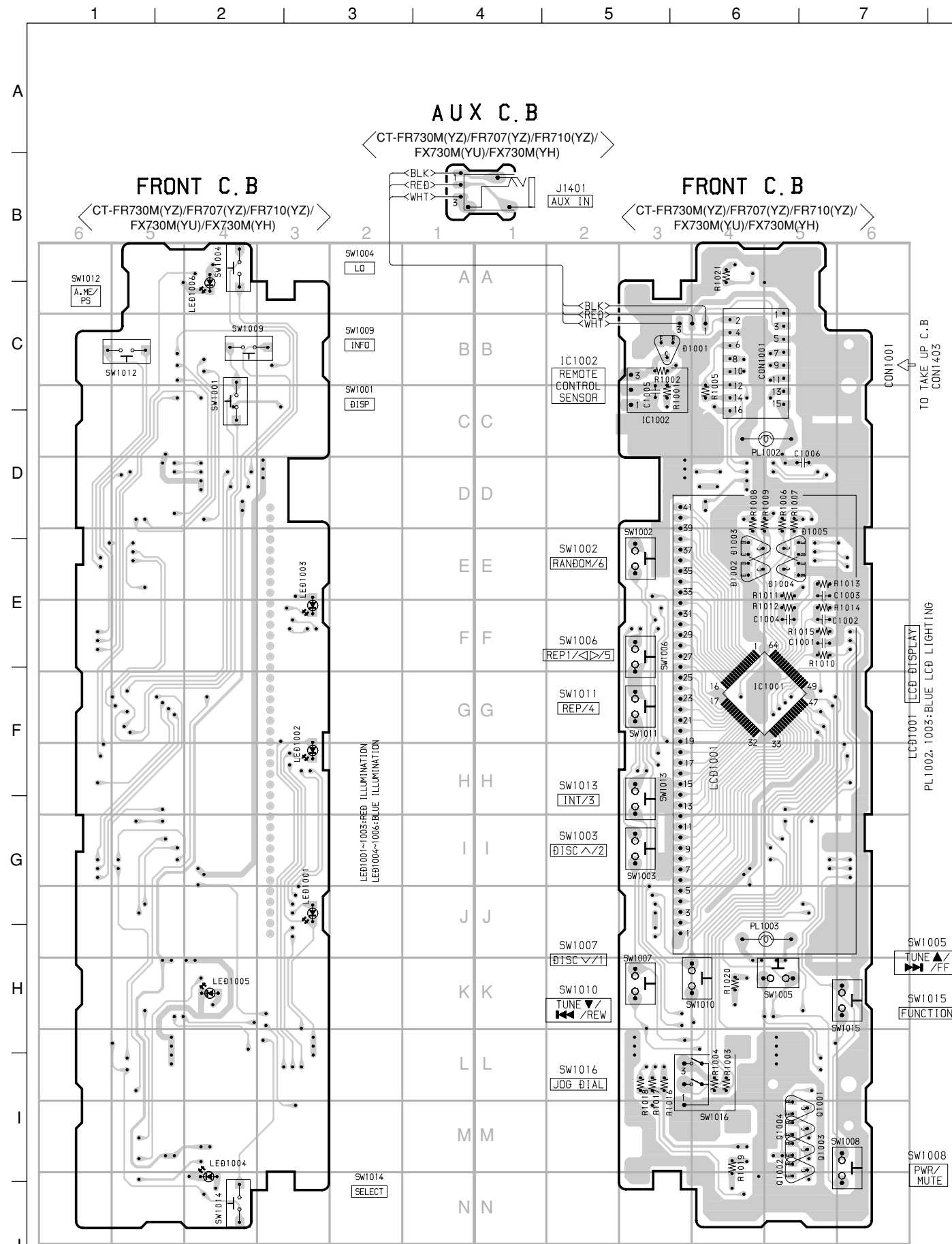
AUX C.B



TO TAKE UP C.B CONT403



LED1001~1003 : RED ILLUMINATION
 LED1004~1006 : BLUE ILLUMINATION
 LED1007, 1008 : BLUE LCD LIGHTING
 PL1002, 1003 : BLUE LCD LIGHTING



IC DESCRIPTION

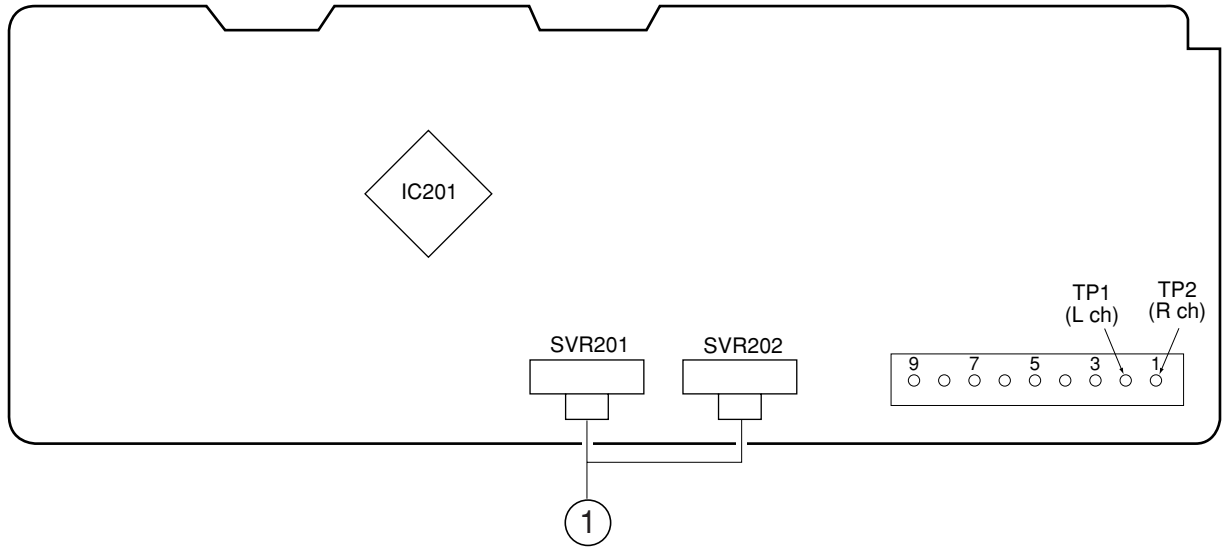
IC, μ PD178016AGC-559-3B9/IC, μ PD1780006A/IC, μ PD178018A

Pin No.	Pin Name	I/O	Description
1	AM/FM S-M	I	AF signal input during RDS AF operation and FM S meter signal input
2	LEVEL-M	I	Level meter signal input
3	A-VOL CONT	I	Detects microphone input for auto volume operation. Pulled down when not used.
4	CD CONNECT	I	CD changer connection check. Pulled down when not used.
5	CD DISP SEL	O	Determines the timing with which data is transferred to the head unit. Open when not used.
6	CD CLO	O	Clock output to CD changer. Open when not used.
7	CD DI	I	Data input from CD changer. Pulled down when not used.
8	CD DO	O	Data output to CD changer. Open when not used.
9	CD CLI	I	Clock input from CD changer. Open when not used.
10	LCD CE	O	LCD DRV (LC75854W) CE output.
11	DFP LAMP	O	Outputs "H" only when FLAP IN (pin 67) is "L". Open when not used.
12	LCD DI	I/O	LCD DRV (LC75854W) data input.
13	LCD DO	O	Open when not used. LCD DRV (LC75854W) data output.
14	LCD CLO	O	LCD DRV (μ IPD16432B) clock output. LCD DRV (LC75854W) clock output.
15	CD ACC CONT	O	Transmits the power on/off status of head unit to changer. Open when not used.
16	POWER MUTE	O	Muting output to power amp
17	ST-BY MUTE	O	Standby/muting output to power amp
18	POWER CONT	O	Unit power control output
19	CONT 1	O	LCD DRV power control 1
20	CONT 2	O	LCD DRV power control 2
21	GND	-	Ground for port
22	VDD	-	Power supply for port
23	MUTE	O	Audio muting output
24	BAND CONT	O	AM/FM power switching output. AM: "H", FM: "L".
25	RADIO CONT	O	Radio ON/OFF. Power switching output. Radio ON: "H".
26	RDS MODE	O	Outputs "H" during RDS AF operation. Open when not used.
27	IF REQ	O	Output to request IF count signal.
28	AM IF	I	AM IF count signal input
29	FM IF	I	FM IF count signal input
30	VDD	-	Power supply for PLL
31	FM OSC	I	FM local oscillation input
32	AM OSC	I	AM local oscillation input
33	GND	-	Ground for PLL
34	EO 0	O	Error output from charge pump (for FM)
35	EO 1	O	Error output from charge pump (for AM)
36	GND	-	Ground
37	LOC/DX	O	LOC/DX switching output during radio seek (LOC: "H", DX: "L"). Open when not used.
38	ST IND/SD IN	I	Stop pulse input during FM/AM seek.
39	PHONE MUTE	I	Muting control input -20 dB. Mute: "L".

Pin No.	Pin Name	I/O	Description
40	MAIN M CONT	O	Main motor control output
41	SUB M CONT 1	O	Sub motor control output-1.
42	SUB M CONT 2	O	Sub motor control output-2.
43	MODE PL	I	Mode pulse input for tape mechanism.
44	REEL	I	Reel pulse input for tape mechanism.
45	STAND-BY	I	Mechanism Stand-by input
46	F/R HEAD	O	Head FWD/REV select output.
47	MS IN	I	MS signal input (no music: "H", with music: "L"). Pulled when not used
48	LED	O	Security LED flashing output ("H": 120-130 ns, 1 cycle: 3 s)
49	MI-1	I	Diode matrix input for initial setting
50	MI-2		
51	MI-3		
52	MO-1	O	Diode matrix output for initial setting
53	MO-2		
54	MO-3		
55	MO-4		
56	BS CONT	O	MS/BL switching output. Open when not used
57	NR CONT	O	Dolby B NR on/off output. Open when not used
58	MTL CONT	O	Metal tape on/off output. Open when not used
59	BEEP	O	Beep output (3 kHz, 50 ms)
60	RMT IN	I	Remote control input. Pulled up when not used
61	E-VOL CE	O	CE output to electronic VR (LC75374E)
62	E-VOL DO	O	Data output to electronic VR (LC75374E)
63	E-VOL CLO	O	Clock output to electronic VR (LC75374E)
64	DSSA	O	Outputs "H" only when DSSA L/R are operating.
65	RDS DI	I	RDS data input Pulled down when not used.
66	DFP IN	I	Detects whether DFP (front panel) is provided or not.
67	FLAP IN	I	Detects whether flap DFP is open or closed.
68	RDS CLI	I	RDS clock input Pulled down when not used
69	EJECT IN	I	NC (pulled down)
70	ACC IN	I	ACC (accessory power supply) on/off input
71	RE1 IN	I	Rotary encoder input 1.
72	RE2 IN	I	Rotary encoder input 2.
73	PACK IN	I	Tape insertion status detection input
74	REG CPU	-	CPU power regulator
75	GND	-	Ground
76	X-OUT	-	System clock oscillator
77	X-IN	I	System clock oscillator
78	REG OSC	-	Regulator for oscillator circuit
79	VDD	-	Power supply
80	RESET	I	System reset input

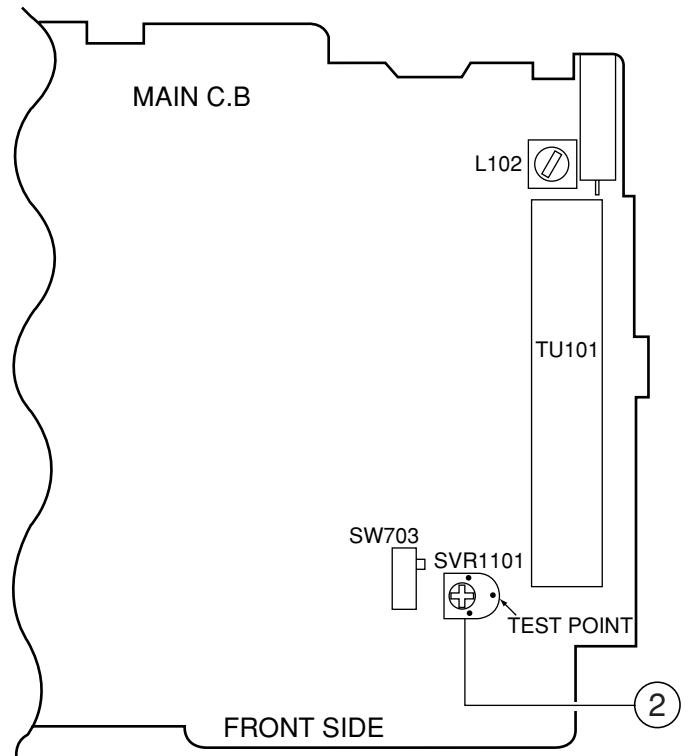
ELECTRICAL ADJUSTMENT

EQ/DOLBY C.B

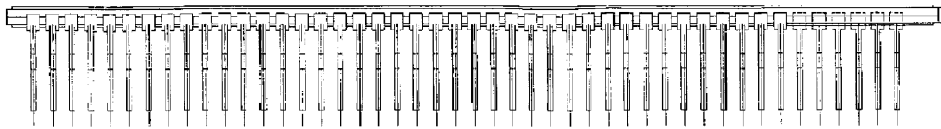
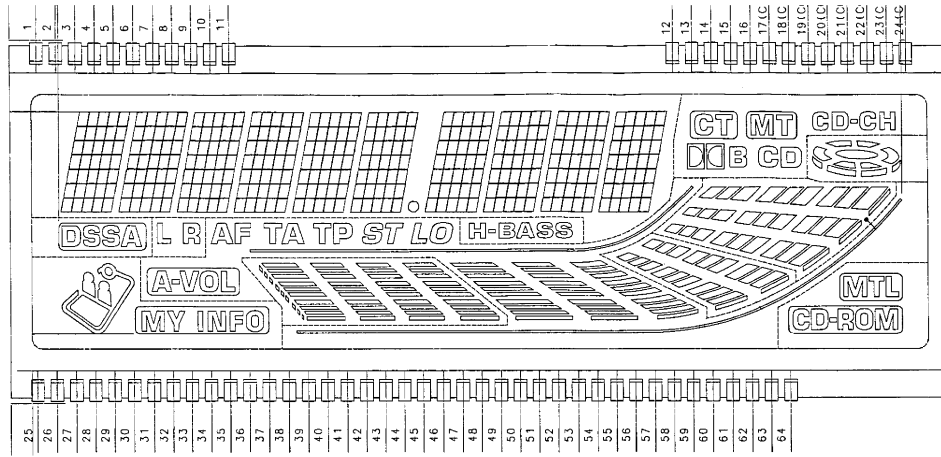


1. Dolby NR Adjustment [CT-FR930M, FX930M]
 - Settings:
 - Test tape: TTA-200
 - Test points: TP1(Lch), TP2(Rch)
 - Adjustment location: SVR201(Lch), SVR202(Rch)
 - Method:
 1. Play a Dolby NR tape and adjust SVR201 and SVR202 so that the Lch (TP1) and Rch(TP2) levels are $300 \pm 5\text{mV}$.
 2. Adjust the level in the forward running direction, and then check in the reverse direction. If the level drifts from the specification, perform readjustment.

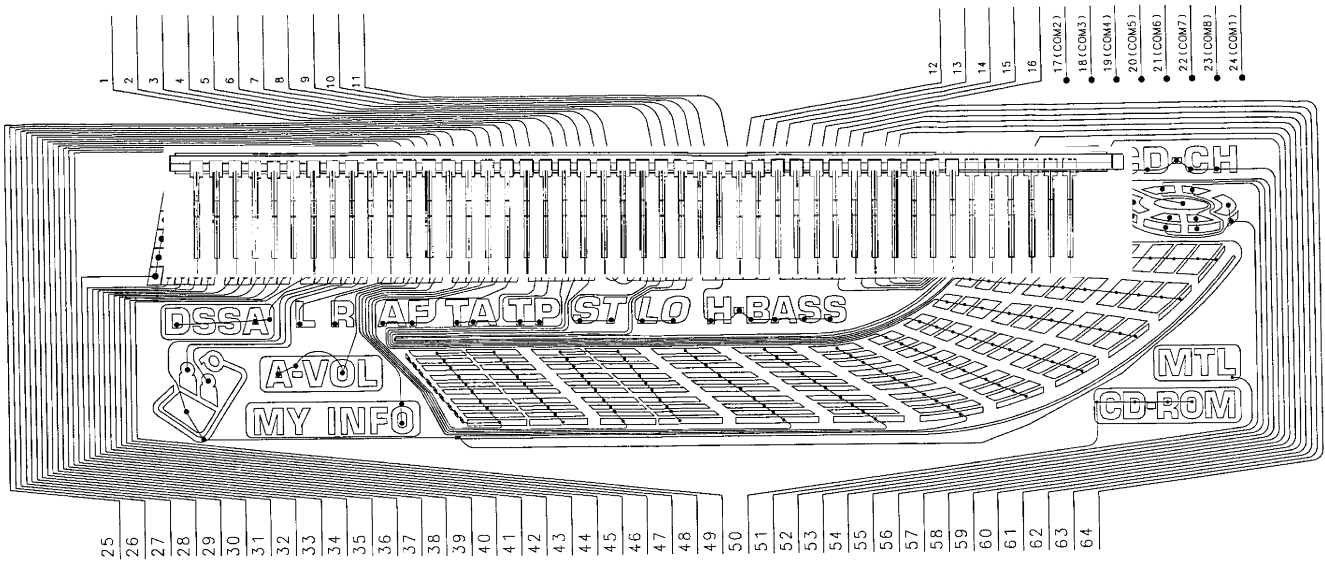
2. RDS Voltage Adjustment [YZ]
 - Settings:
 - Test point: Center pin of SVR1101
 - Adjustment location: SVR1101
 - Method: Set AM/FM Signal generation to 98 MHz, 30 dBV and adjust SVR1101 so that the output becomes $2.0\text{ V} \pm 0.05\text{ V}$.



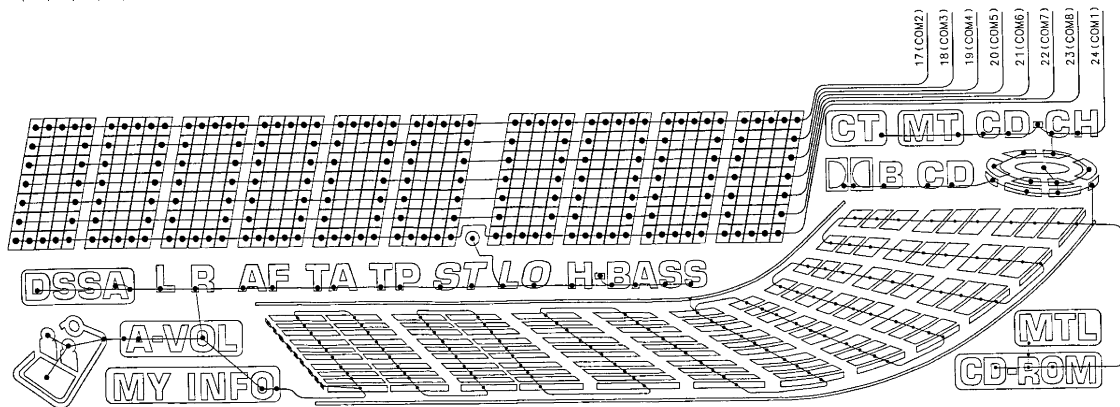
LCD DISPLAY-1 [CT-FR930M YZ, FX930M YU, YH]



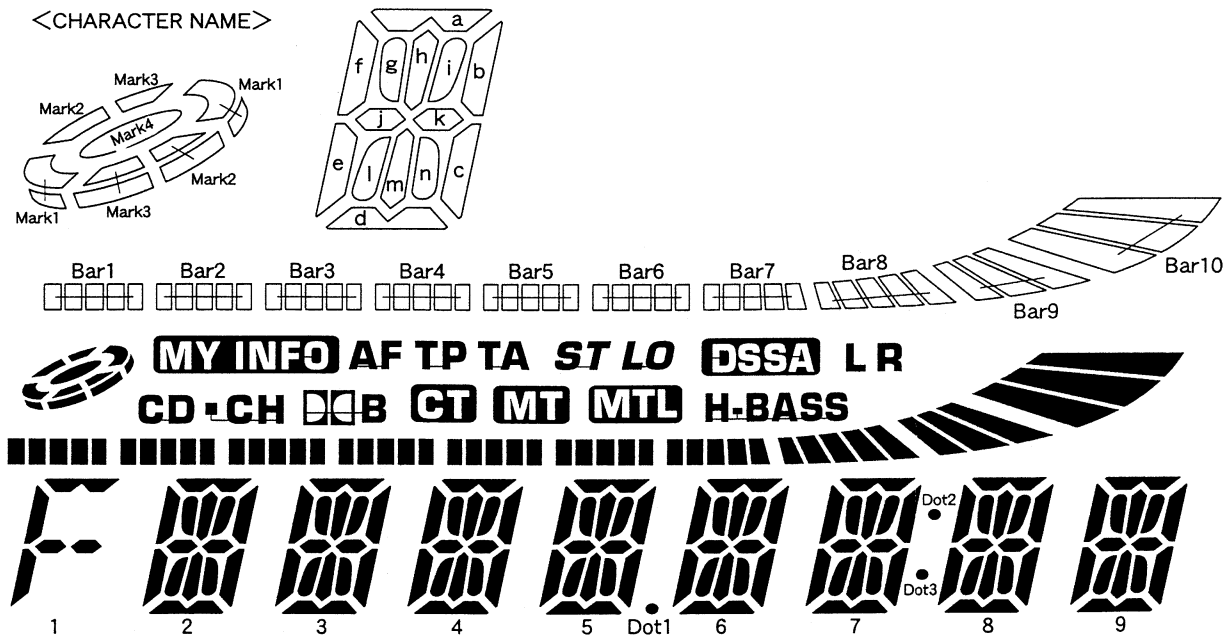
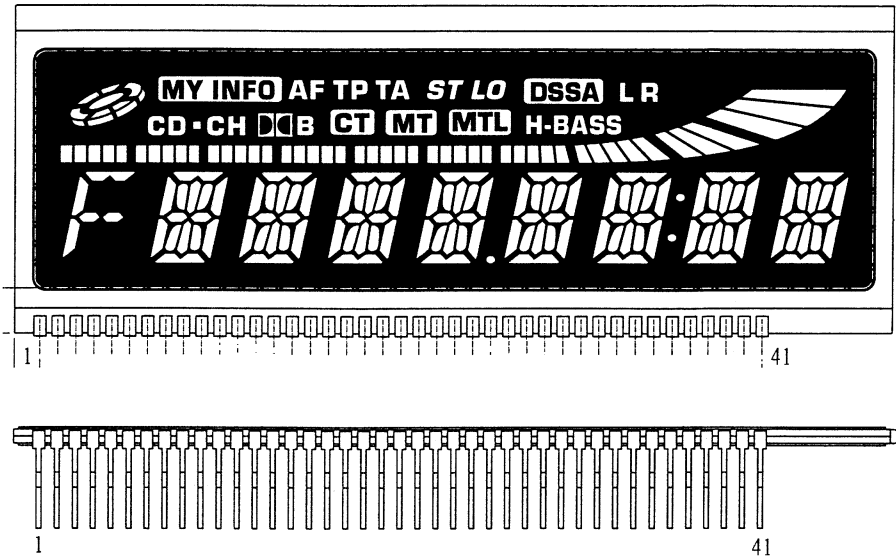
SEGMENT



COMMON



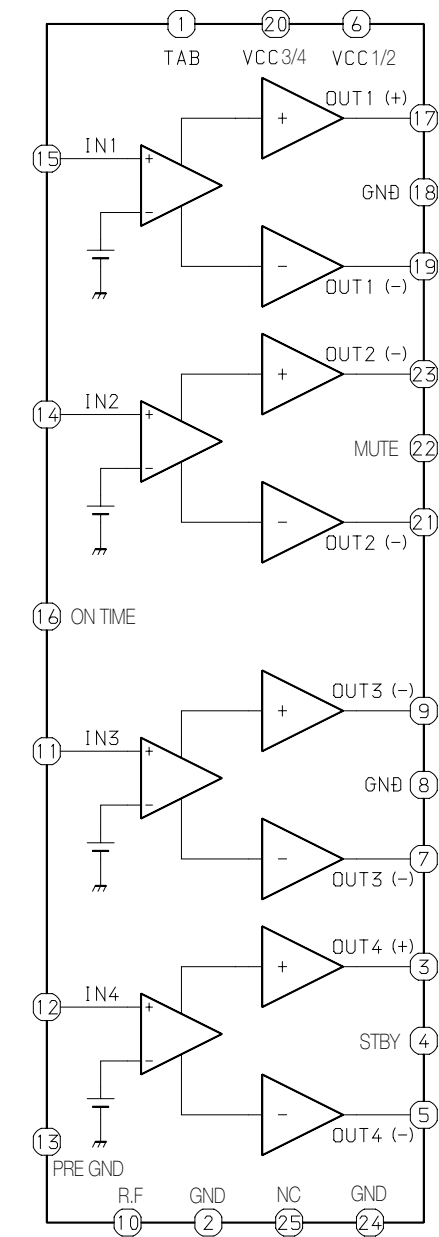
LCD DISPLAY-2
 [CT-FR730M YZ, FRV735M YZ, FR707 YZ, FR710 YZ, FRV715 YZ, FX730M YU.YH]



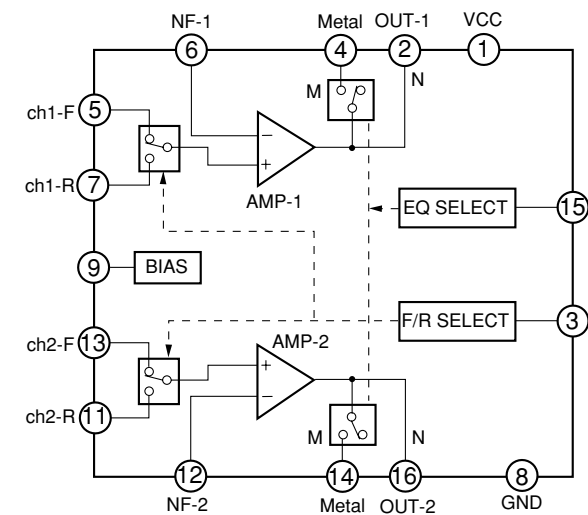
No	1	2	3	4	5	6	7	8	9	10	11	12	13	14	15	16	17	18	19	20
COM1	---	---	---	COM1	H-BASS	MT	Mark4	Dolby B	CD	2d	2m	2n	Bar1	3d	3m	3n	Bar3	4d	4m	4n
COM2	---	---	COM2	---	DSSA	LO	CT	TP	-CH	2e	2l	2k	2c	3e	3l	3k	3c	4e	4l	4k
COM3	---	COM3	---	---	R	ST	TA	AF	MY INFO	2f	2j	2i	2b	3f	3j	3i	3b	4f	4j	4i
COM4	COM4	---	---	---	L	MTL	Mark1	Mark2	Mark3	1a,e,f,j,k	2g	2h	2a	Bar2	3g	3h	3a	Bar4	4g	4h

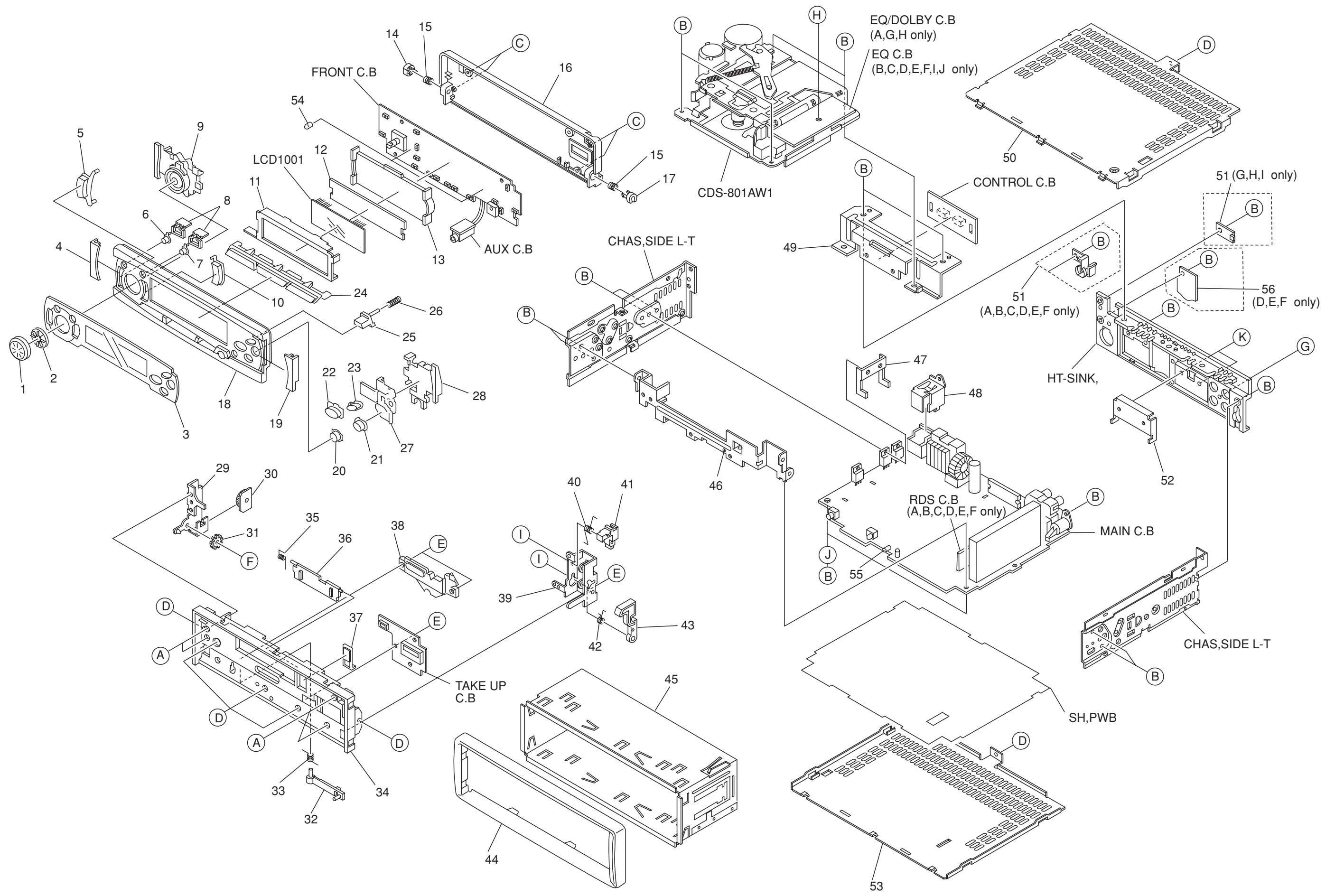
No	21	22	23	24	25	26	27	28	29	30	31	32	33	34	35	36	37	38	39	40	41
COM1	Bar5	5d	5m	5n	Dot1	6d	6m	6n	Bar8	7d	7m	7n	Dot3	8d	8m	8n	Bar10	9d	9m	9n	---
COM2	4c	5e	5l	5k	5c	6e	6l	6k	6c	7e	7l	7k	7c	8e	8l	8k	8c	9e	9l	9k	9c
COM3	4b	5f	5j	5i	5b	6f	6j	6i	6b	7f	7j	7i	7b	8f	8j	8i	8b	9f	9j	9i	9b
COM4	4a	Bar6	5g	5h	5a	Bar7	6g	6h	6a	Dot2	7g	7h	7a	Bar9	8g	8h	8a	---	9g	9h	9a

IC BLOCK DIAGRAM-3
 IC, LA4743B



IC, KIA2025P





MECHANICAL MAIN PARTS LIST 1/1

DESCRIPTIONで判断できない物は "REFERENCE NAME LIST" を参照してください。
 If can't understand for Description please kindly refer to "REFERENCE NAME LIST".

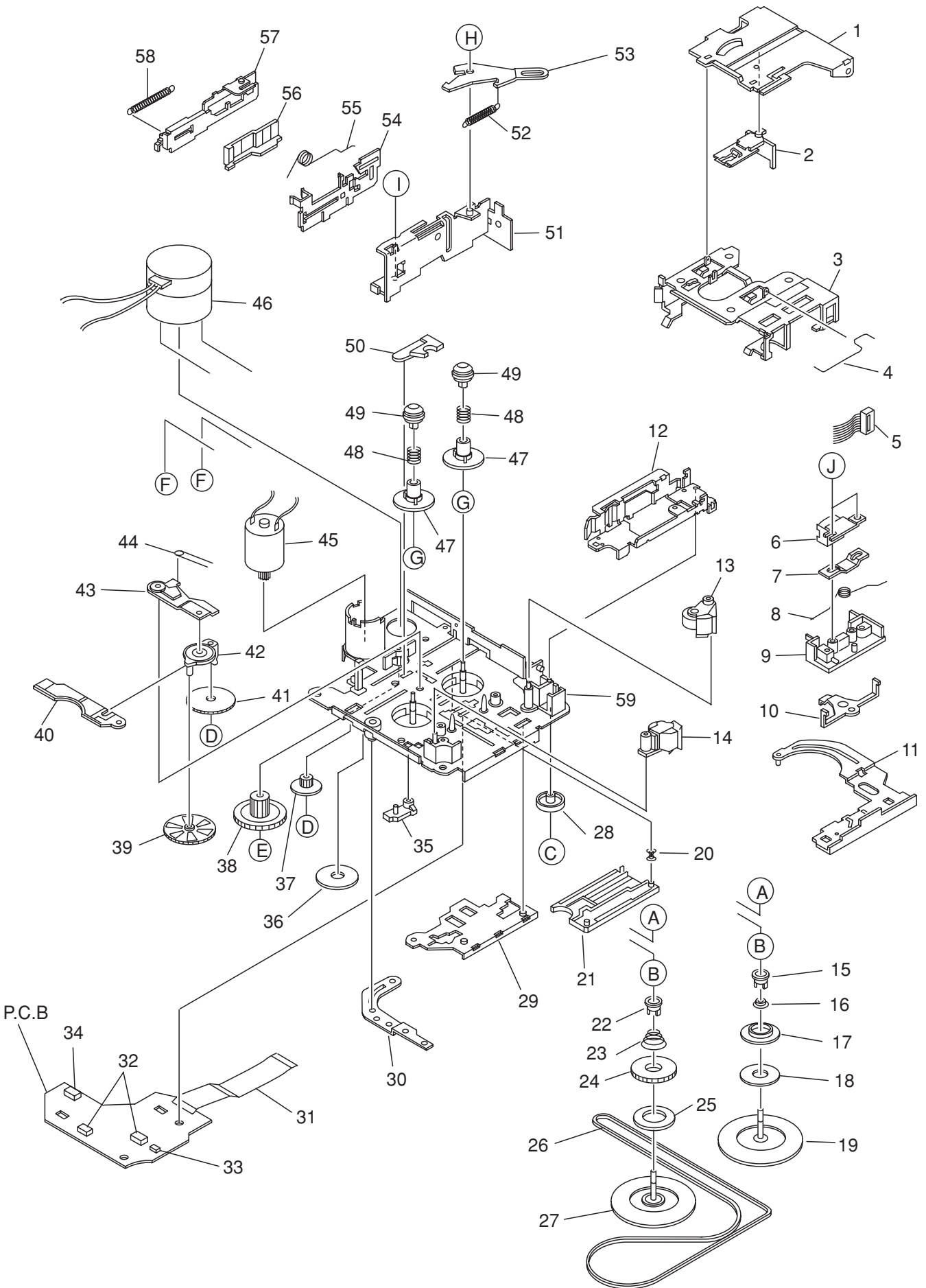
REF. NO	PART NO.	KANRI NO.	DESCRIPTION	REF. NO	PART NO.	KANRI NO.	DESCRIPTION
1	8A-KT5-020-010		KNOB,RTRY A<B,C,G,I,J>	28	8A-KT5-208-010		LENS,R 5
1	8A-KTF-020-010		KNOB,RTRY NON RUBBER<A,D,E,F,H>	29	8Z-KT1-229-010		HLDR,DAMPER F ASS'Y-T
2	8A-KT5-021-010		RING,RTRY A<EXCEPT J>	30	8Z-KT1-250-010		OIL-DMPR,100
3	8A-KT5-006-010		WINDOW,LCD 5<G>	31	8Z-KT1-203-010		GEAR,FLAP -T
3	8A-KT4-012-010		WINDOW,LCD FR707<D>	32	8Z-KT1-222-010		ARM,SENSOR F -T
3	8A-KT4-001-010		WINDOW,LCD FR710<E>	33	8Z-KT1-248-010		SPR-T,SENSOR F -T
3	8A-KT3-001-010		WINDOW,LCD FR730M	34	8Z-KT1-021-010		CABI,BASE F-T
3	8A-KT1-001-010		WINDOW,LCD FR930M<A>	35	8Z-KT1-244-010		SPR-T,DOOR Z
3	8A-KT4-002-010		WINDOW,LCD FRV715<F>	36	8Z-KT1-023-110		DOOR,CASS
3	8A-KT3-002-010		WINDOW,LCD FRV735M<C>	37	8Z-KT1-018-010		BTN,EJ F-T
3	8A-KT7-001-010		WINDOW,LCD FX730M YU<I,J>	38	8Z-KT1-208-010		LENS,BASE -T
3	8A-KT5-007-010		WINDOW,LCD FX930M YH<H>	39	8Z-KT1-230-010		HLDR,DFP ASS'Y-T
4	8A-KT4-011-010		WINDOW,L 4<D>	40	8Z-KT1-260-010		SPR-T,F.LOCK-T
4	8A-KT5-004-010		WINDOW,L 5<EXCEPT D>	41	8Z-KT1-201-110		ARM,F-LOCK -T
5	8A-KT5-018-010		BTN,FNC	42	8Z-KT1-243-010		SPR-T,FLAP -T
6	8A-KT5-012-010		BTN,PWR<EXCEPT D>	43	8Z-KT1-202-010		LEVER,F-OPEN -T
6	8A-KT4-005-010		BTN,PWR 4<D>	44	8A-KT5-003-010		CABI,TRIM 5
7	8A-KT5-011-010		BTN,MU<EXCEPT D>	45	8Z-KT1-231-010		HLDR,HALF-T
7	8A-KT4-006-010		BTN,MU 4<D>	46	8A-KT5-203-010		CHAS,FRONT 5
8	8A-KT5-210-010		HLDR,BTN MU	47	8A-KT5-204-010		HLDR,TR
9	8A-KT4-201-010		LENS,ENCO 4<D>	48	8A-KT5-216-010		HLDR,DIN 13P<EXCEPT D,E,F>
9	8A-KT5-207-010		LENS,ENCO 5<EXCEPT D>	49	8A-KT5-202-010		HLDR,DECK 5
10	8A-KT5-017-010		BTN,UP/DN<EXCEPT D,E,F>	50	8Z-KT1-211-010		COVER, TOP -T
10	8A-KTG-003-010		BTN,UP/DN G<D,E,F>	51	8Z-KT5-201-010		COVER, ISO BLIND -T<G,H,I,J>
11	8A-KT5-206-010		HLDR,LCD 5	51	8Z-KT1-257-010		HLDR,ISO-WIRE -T<A,B,C>
12	8A-KT3-202-010		LENS,LCD 3V<C,F>	51	8A-KT5-219-010		HLDR,ISO-WIRE 5<D,E,F>
12	8A-KT5-213-010		LENS,LCD 5<EXCEPT C,F>	52	8A-KT5-201-010		HLDR,IC 5
13	8A-KT3-201-010		CASE,LCD 3V<C,F>	53	8Z-KT1-212-010		COVER, BOTTOM -T
13	8A-KT5-209-010		CASE,LCD 5<EXCEPT C,F>	54	8Z-KTG-207-010		CAP,LAMP BLU B2*4 ALC<B,E,I,J>
14	8Z-KT1-204-010		HLDR,F-HOOK L -T	54	8Z-KT1-239-010		CAP,LAMP BLU B<A,G,H>
15	8Z-KT1-241-010		SPR-C,DFP HOOK F -T	54	8Z-KTG-209-010		CAP,LAMP ORN<D>
16	8A-KT5-002-010		CABI,REAR 5	55	8Z-KTG-208-010		CAP,LAMP GRN G50 ALC<EXCEPT D>
17	8A-KT5-212-010		HLDR,HOOK R	56	8Z-KT4-201-010		COVER, CD BLIND -T<D,E,F>
18	8A-KT5-001-010		CABI,FRONT 5	A	87-253-034-410		U+2-5 BLK
19	8A-KT4-010-010		WINDOW,R 4<D>	B	87-251-073-410		SCREW,U+2.6-6
19	8A-KT5-005-010		WINDOW,R 5<EXCEPT D>	C	8Z-KT1-253-010		S-SCREW,PT 2*8 BH+ BLK
20	8A-KT5-016-010		BTN,INFO<G,H,I,J>	D	88-KT1-250-010		S-SCREW,THIN HEAD+2.6-4 BLK
20	8A-KT1-003-010		BTN,TA<A,B,C,E,F>	E	8Z-KT1-254-010		S-SCREW,PT 2*5 BH+ BLK
20	8A-KT4-008-010		BTN,TA 4<D>	F	8Z-KT1-247-010		S-SCREW,GEAR2.0-1.8 -4.2
21	8A-KT1-004-010		BTN,AF<A,B,C,D,E,F>	G	87-B10-259-010		UT2+3.0-10.0 W/O SLOT (BH TAP)
21	8A-KT5-015-010		BTN,LO<G,H,I,J>	H	87-B10-296-010		VT2+2-4 W/O
22	8A-KT5-013-010		BTN,DISP<EXCEPT D>	I	8Z-KT1-246-010		S-SCREW,2.0-2.5 -10
22	8A-KT4-007-010		BTN,SEL 4<D>	J	87-432-903-010		WASHER,WTE 2.6
23	8A-KT5-014-010		BTN,A/M<EXCEPT D>	K	87-251-097-410		U+3-12
23	8A-KT4-009-010		BTN,PS 4<D>				
24	8A-KT5-010-010		BTN,P.SET<A,G,H>				
24	8A-KT9-007-010		BTN,P.SET 9<EXCEPT A,G,H>				
25	8A-KT5-019-010		BTN,OPEN				
26	8Z-KT1-242-010		SPR-C,OPEN BTN F -T				
27	8A-KT5-211-010		HLDR,BTN DISP				

TYPE	MODEL NAME	SUFFIX
A	CT-FR930M	YZ
B	CT-FR730M	YZ
C	CT-FRV735M	YZ
D	CT-FR707	YZ
E	CT-FR710	YZ
F	CT-FRV715	YZ
G	CT-FX930M	YU
H	CT-FX930M	YH
I	CT-FX730M	YU
J	CT-FX730M	YH

COLOR NAME TABLE

Basic color symbol	Color	Basic color symbol	Color	Basic color symbol	Color
B	Black	C	Cream	D	Orange
G	Green	H	Gray	L	Blue
LT	Transparent Blue	N	Gold	P	Pink
R	Red	S	Silver	ST	Titan Silver
T	Brown	V	Violet	W	White
WT	Transparent White	Y	Yellow	YT	Transparent Yellow
LM	Metallic Blue	LL	Light Blue	GT	Transparent Green
LD	Dark Blue	DT	Transparent Orange		

MECHANISM EXPLODED VIEW 1/1



MECHANISM MAIN PARTS LIST 1/1

DESCRIPTIONで判断できない物は "REFERENCE NAME LIST" を参照してください。
 If can't understand for Description please kindly refer to "REFERENCE NAME LIST".

REF. NO	PART NO.	KANRI NO.	DESCRIPTION	REF. NO	PART NO.	KANRI NO.	DESCRIPTION
1	SX-080-110-130		CASSETTE HANGER ASSY	36	S1-080-120-050		REDUCTION GEAR B
2	S1-080-120-250		CASSETTE CATCH	37	S1-080-120-040		REDUCTION GEAR A
3	S1-080-110-120		CASSETTE HOLDER	38	S1-080-120-090		MODE GEAR
4	S1-080-140-110		HOLDER STABILIZER SPG	39	S1-080-120-170		REFLECTOR GEAR
5	S1-080-170-270		JOINT WIRE ASSY 6P-AW	40	S1-080-120-150		GEAR BASE LINK
6	S1-080-170-220		HEAD (P-5544-CD)	41	S1-080-120-160		TAKE UP GEAR
7	S1-080-110-090		HEAD SUPPORT SPG	42	SX-080-120-030		GEAR BAES ASSY
8	S1-080-140-010		PINCH ARM SPG	43	S1-080-120-140		GEAR BASE ARM
9	S1-080-120-200		TAPE GUIDE	44	S1-080-140-070		GEAR BASE SPG
10	S1-080-110-050		PINCH SPG ARM	45	SX-080-170-060		SUB MOTOR ASSY
11	SX-080-110-020		SLIDE CHASSIS ASSY	46	SX-080-170-570		MAIN MOTOR ASSY
12	S1-080-110-060		CASSETTE GUIDE	47	S1-080-120-100		REEL SPINDLE
13	SX-080-120-210		PINCH ARM ASSY	48	S1-080-140-080		REEL DRIVER SPG
14	SX-080-120-220		PINCH ARM R ASSY	49	S1-080-120-110		REEL DRIVER
15	S1-080-120-060		SPG HOLDER F	50	S1-080-120-240		RACK LINK
16	S1-080-140-020		TU SPG	51	SX-080-110-080		SIDE BKT ASSY
17	S1-080-120-070		FRICITION GEAR PLAY	52	S1-080-140-090		LOAD ARM SPG
18	S1-080-150-020		FELT 7.5-18.5-1.0	53	S1-080-110-070		LOAD ARM
19	S1-080-160-020		FLYWHEEL ASSY F	54	S1-080-110-110		EJECT CAM PLATE
20	S1-080-130-050		RACK COLLAR	55	S1-080-140-060		HOLDER CUSHION SPG
21	S1-080-120-180		MODE RACK	56	S1-080-120-230		LOAD RACK
22	S1-080-120-300		SPG HOLDER R	57	SX-080-110-100		EJECT CAM LIMITER ASSY
23	S1-080-140-030		FF SPG	58	S1-080-140-050		EJECT CAM PLATE SPG
24	S1-080-120-080		FRICITION GEAR FF	59	SX-080-110-030		MAIN CHASSIS ASSY
25	S1-080-150-040		FELT 11-18.5-1.0	A	S2-181-600-32E		LMW-S 1.6-3.2-0.35
26	S1-080-150-010		BELT	B	S2-182-100-40D		PSW 2.1-4.0-0.25
27	S1-080-160-030		FLYWHEEL ASSY R	C	S2-181-200-32D		PSW-S 1.2-3.2-0.25
28	S1-010-120-560		IDLE PULLEY (A1)	D	S1-003-650-240		PSW-S (REEL B) 1.5-3.2-0.25
29	S1-080-110-030		DIRECTION PLATE	E	S1-821-004-0D2		PSW-S 2.1-4.0-0.25
30	S1-080-110-040		DIRECTION LINK	F	S2-103-200-25C		+SCREW, PLAIN M2-2.5
31	S1-080-170-110		FLAT CABLE 10P	G	S1-080-150-050		REEL WASHER
32	S1-080-170-030		SW (ESE22MH1)	H	S2-171-150-401		E-RING 1.5
33	S1-080-170-240		PHOTO SENSOR (ON2170-QR FS)	I	S2-133-200-35P		S-TYPE PRECISION SCREW M2-3.5
34	S1-080-170-050		SW (SPPB 64)	J	S1-080-150-030		AZIMUTH SCREW
35	S1-080-120-190		MODE SW ACTUATER				

アイワ株式会社 〒110-8710 東京都台東区池之端1-2-11 ☎03(3827)3111 (代表)
AIWA CO.,LTD. 2-11, IKENOHATA 1-CHOME, TAITO-KU, TOKYO 110, JAPAN TEL:03 (3827) 3111