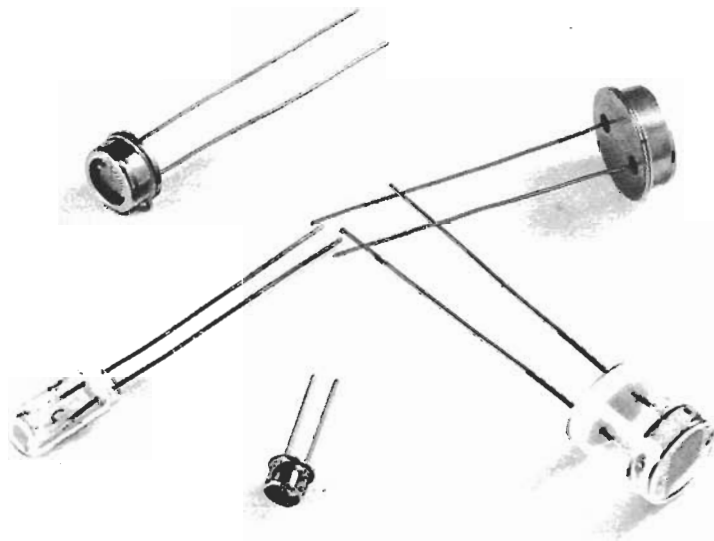


Photoconductive cell application design handbook.



CLAIREX ELECTRONICS

THE DESIGN ENGINEER will find this publication a useful guide in situations involving light control. Over seventy different types of photoconductive cells, the industry's most complete line, are described with extensive physical and electrical data given for each in both graphical and tabulated forms.

A selection of typical circuit diagrams will also offer some assistance. Although these standard cell types are calculated to suit most needs, special units are developed on request; feel free to consult Clairex or its representatives whenever your particular requirements dictate.

CONTENTS

CLAIREX has considered the research, development and manufacture of high quality CdS and CdSe photoconductive cells its sole basis of operation for the last decade. The corporation acquired the title of oldest manufacturer of these cell types as a birthright; its industry-wide reputation as the prime producer of reliable light-sensitive components, however, has been earned through efficient, creative service to the country's leading companies. Clairex invites you to its facilities the next time you visit New York.

If a special photocell is required, Clairex has over seventeen years experience designing cells to customer specifications. These have involved many variations on standard cells in Clairex' hermetically sealed packages. Extensive modifications of cells to obtain a desired conductance at a particular light level, unusual voltage ratings, and special sensitive area configurations have also been accomplished.

In some special cases it became necessary to modify the spectral response of the cells to suit a particular design situation. This involved the development of a modified photoconductive material.

Where special cells may be required, consultation is always advisable prior to submission of a detailed cell design for quotation. Such consultation will help assure that the design is within the state of the art.

Occasionally component parts and tooling will exist which are adaptable to a particular special requirement. However, the design engineer would serve his purposes best by attempting to use standard cells wherever possible and thus avoid the delay and expense necessarily involved in any special manufacturing operation.

	PAGE
Photocell Design, Theory and Application	3
Photoconductive Materials	7
Spectral Curves, Temperature and Speed Data	
Cell Resistance Curves	11
Variation of Conductance with Light History	12
Color Temperature and Power Derating Curves	13
Light Measurement, a Discussion	14
Photometry, Nomograph	15
Ordering Information	16

IMPORTANT

Specific cell data on individual types is on separate, loose leaf sheets that are included with this design manual.

INFORMATION FURNISHED BY CLAIREX CORPORATION IS BELIEVED TO BE ACCURATE AND RELIABLE. HOWEVER, NO RESPONSIBILITY IS ASSUMED BY CLAIREX CORPORATION FOR ITS USE NOR FOR ANY INFRINGEMENTS OF PATENTS OR OTHER RIGHTS OF THIRD PARTIES WHICH MAY RESULT FROM ITS USE. NO LICENSE IS GRANTED BY IMPLICATION OR OTHERWISE UNDER ANY PATENT OR PATENT RIGHTS OF CLAIREX CORPORATION.

© 1971 by Clairex Corporation
All Rights Reserved

Printed in U.S.A.
Clairex is a registered trademark

This section will describe the basic operation of photoconductive cells and provide a step by step objective outline of the design considerations in selecting the appropriate cell for a specific application. Every effort is made to define the terms and discuss the theory used so that the designer will be able to extract technical data provided in this manual and accompanying data and apply this information in specifying a photoconductive cell.

PHOTOCONDUCTIVE CELLS AND PHOTOCONDUCTORS

Photosensors

Today there are (4) basic types of photosensors in use. Photo emissive, photovoltaic, photoconductive junction type and photoconductive bulk effect. The purpose of this manual is to discuss primarily the CdS and CdSe bulk effect photoconductors.

The photo emissive type measures light by the emission in a vacuum of one electron per photon impinging on a metal photo cathode. Photo multipliers having successive stages using secondary emissions are used to amplify the electron current.

The photovoltaic type generates a voltage across a pn junction as a function of the photons impinging on it. This class is usually made of Selenium or Silicon and is the only self-generating type, thus requiring no external power supply.

Photo diodes and photo transistors represent the "junction type" photoconduc-

tors. The resistance across the semiconductor junction changes as a function of light falling on it. They are very fast in response but limited in sensitivity due to the small area of the junction.

Photoconductive cells bulk effect are normally made of Cadmium Sulfide (CdS) or Cadmium Selenide (CdSe). Unlike the junction types, they have no junction. The entire layer of material changes in resistance when it is illuminated. In this respect it is analogous to a thermistor except the heat is replaced by light. The photoconductive cell decreases in resistance as the light level increases and increases in resistance as the light level decreases. The absolute value of resistance of a particular cell at a specific light level depends on the photosensitive material being used, cell size, electrode geometry, and on the spectral composition of the incident light.

Although photoconductors require an



Photocell Design, Theory and Application

external power supply, a sensitivity 1000 times greater than the photovoltaic class more than compensates in most applications. The photoconductor's sensitivity to steady light is 1,000,000 times that of the photo emissive type and equal to that of the photomultiplier, without the burdensome necessity of a high voltage power supply required by the latter. Photo diodes and transistors have faster response times than CdS and CdSe photoconductive cells but their poor sensitivity to light limits their use to those applications where relatively high illumination is available.

Cadmium sulfide (CdS) and cadmium selenide (CdSe) are the two materials most widely used in photoconductive cells. Clairex specializes in the manufacture of photoconductive cells using CdS and CdSe as the base materials. From these two compounds Clairex has developed a number of materials in order to provide the best possible characteristics for a wide variety of applications.

Design Criteria For Selection of Photoconductive Cells

The selection of a photocell for a specific application requires the determination of two distinct groups of parameters. The first of these will allow the designer to choose the exact photoconductive material which is best suited for his application. The second group of parameters will allow for the determination of the physical configuration of the photocell. Clairex offers (7) varieties of CdS and CdSe materials and five different cell configurations. In addition, Clairex provides a wide choice of power and resistance ratings.

SELECTION OF PHOTOCONDUCTIVE MATERIAL

Spectral Response

The relative sensitivity of a photoconductive cell is dependent on the wavelength of the incident light.

Each photoconductive material has a

unique response curve which indicates the portion of the light spectrum it is sensitive to. Figure 1 and Figure 2 are typical spectral response curves for two Clairex materials.

From these curves it can be seen that material 2 has its peak spectral response at 5150 Angstroms and material 3 at 7350

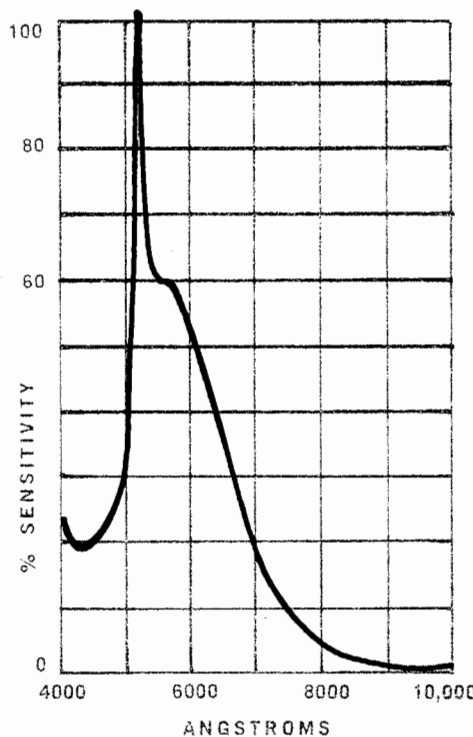


Figure 1

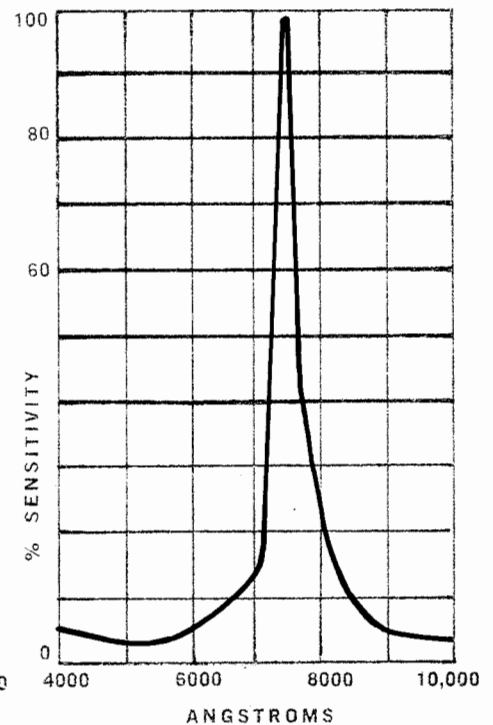


Figure 2

Angstroms. This indicates that material 2 is most sensitive to light in the blue-green spectrum and material 3 is most sensitive to light in the red near IR region.

In designing it is important to choose a photoconductive material and/or light source which will provide maximum relative sensitivity. Relative sensitivity is the ratio of cell conductance at the light wavelength being employed to the cell conductance that would be obtainable had the wavelength of the light source used been exactly equal to the peak wavelength of the material. This is expressed in Figure 3.

Color Temperature Response

In most applications, monochromatic light sources are not used. More commonly we find incandescent, neon, or sunlight. Thus the overall response to a continuous light source becomes very important. If the photocell must operate over a varying color temperature range, a cell must be picked which is the least sensitive to varying color temperature. In other words, it should have a "flat color temperature response." On page 13 the curves illustrate this variation with the different materials. Applications that require the cell to operate in a high stray light ambient which differs in color temperature from the signal light, require cells with non flat response. An example would be a fluorescent ambient with a tungsten signal light. Here a CdSe cell solves the problem with its much higher response to the lower color temperatures of tungsten lights.

The curves also illustrate the need for close control of color temperature in all test fixtures, this can become a major source of poor correlation in testing results.

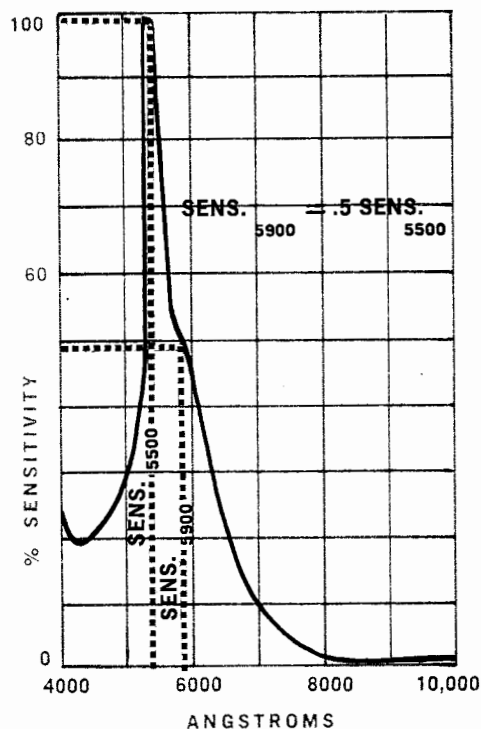


Figure 3

Sensitivity

The sensitivity of a photocell can be assessed only as related to an application and circuit.

Most broadly, cell sensitivity is the relationship between the light intensity impinging upon the sensitive area of the cell and the signal output of the cell in the circuit.

In a simple relay circuit (cell, power supply, and relay all in series), the output desired is relay current. Thus, a cell is most sensitive which for a given light level will pass the most current—the cell with lowest resistance.

Where the cell 'drives' a tube grid, the cell-circuit output desired is a voltage into an essentially open circuit. Here, a cell must be capable of withstanding a large voltage change and dissipation considerations dictate a high resistance cell.

Where the light signal input is a small change in illumination, sensitivity is primarily related to the slope of the cell resistance vs. light intensity curve.

The specific photoconductive material used will determine the resistivity, and the slope and linearity of the resistance curve. The actual resistance of a specific cell is a function of the geometry of the active area within the cell.

In choosing a photocell, the application for which the cell is to be used will determine which parameter is of prime importance. For example, where the cell is to be used in a switching application the greater the slope of the resistance characteristic (versus light level) the faster will be the switching action.

Depending on the specific material which is used the ratio of dark to light resistance varies in Clairex cells from 100:1 to 10,000 to 1. In determining the resistance ratio it is necessary to specify at what time after the light is removed the dark resistance is measured. Clairex specifies five seconds dark, after exposure to 2 ft-c.

A perfectly linear photoconductive material is one in which a given percentage change in light level will result in the same percentage change in resistance over the entire range of illumination. While no material can be perfectly linear, Clairex Type 5H material exhibits the most linear characteristic over the widest light level range.

In general, CdSe cells are super linear below 1 ft-c and become sub linear above. All CdS/CdSe photoconductors become less linear as the light level is increased, until in the 10,000 foot-candle range they are almost asymptotic.

Linearity of resistance with changing light levels suggests a whole family of applications in the meter and control areas.

Temperature Coefficients

The temperature coefficients of photoconductors are rather unique, as they are a function of light as well as material. CdS cells have the lowest coefficient and in general their resistance changes inversely with temperature change. CdSe cells have considerably higher coefficients and their resistance varies directly with temperature. As was stated earlier, the coefficient is also a function of light intensity. The coefficient varies as an inverse function of light level. Thus to minimize temperature problems, it is desirable to work the photocells at the highest light level practical.

Photocell Resistance

The resistance of a photocell is a function of the basic material resistivity and total active area. In general, CdSe materials are considerably lower in resistance than CdS materials when used with conventional light sources. An example would be Clairex Type 4 material which is 33 times lower in resistance than Type 2 material. The second factor is the active area of the photoconductor, which is determined by the physical size and the electrode configuration. By today's evaporation techniques it is possible to deposit electrodes in very fine patterns which allow exposure of a large area of the cell surface and very close electrode gaps. This technique allows low resistance in small size cells, however the close spacing requires lower voltage ratings. To obtain low resistance and high voltage rating, it is necessary to have a large photocell substrate with big electrode gaps.

On page 11, the basic material resistivity curves are shown with the various factors for different electrode configurations.

Speed of Response

Speed of response of a photoconductive

cell is the time required for the current to increase after the cell has been illuminated (rise time) and the time required for the current to decrease (resistance increase) after light has been removed. (Decay Time). In general, in this manual, turn on time is measured from the beginning of illumination to the time it takes the current to reach 63% of its final value. Response time can be measured over any specific resistance range which is desired. All cells exhibit faster response times with increased illumination, with CdSe cells being normally faster than CdS.

Light History Effects

In common with all known light sensors, photoconductors exhibit a phenomenon which has been called fatigue, "hysteresis," "light memory," "light history effect," etc.

The phenomenon takes the following form: the present or instantaneous conductance of a cell at a specific light level is a function of the cell's previous exposure to light and of the duration of this exposure. The magnitude of the effect depends on the present light level, on the difference between present and previous light levels, and on the durations of previous and present exposure. The sense or direction of the effect depends on whether the previous level was higher or lower than the present one.

An example will help clarify this last statement: a cell kept at the test light level will attain an equilibrium conductance. If this cell is kept at a lower light level or in total darkness for some time and then checked at the test level; its conductance will be greater (than the equilibrium value) and will decay asymptotically to the equilibrium value.

Conversely, if the cell is kept at a higher light level and then checked at the test level, initial conductance will be lower and will rise asymptotically to the equilibrium value. The higher the test level, the more rapid is the attainment of equilibrium.

The magnitude of the effect is larger

for Cadmium Selenide than for Cadmium Sulphide; but the selenides tend to reach equilibrium more rapidly.

Naturally, this phenomenon must be taken into consideration in applying photoconductive cells.

The "light history effect" (preferred term) is a definite hindrance in the use of photoconductive cells for the measurement of light levels. For the continuous measurement of light levels which may range in a random manner from darkness to very high light levels, precision is limited at any light level to the magnitude of the "light history effect" for that level.

For intermittent measurements, the effect of 'light history effect' may be virtually eliminated by keeping the cell in a constant light environment between measurements. For best results, a light level environment within the range of interest should be chosen.

Photocell Selection

Once the photoconductive material is chosen it is then necessary to choose the appropriate physical package. In selecting a physical package the designer must take into consideration not only mechanical requirements but also the electrical ratings of the cell for appropriate circuit compatibility.

Maximum Cell Voltage

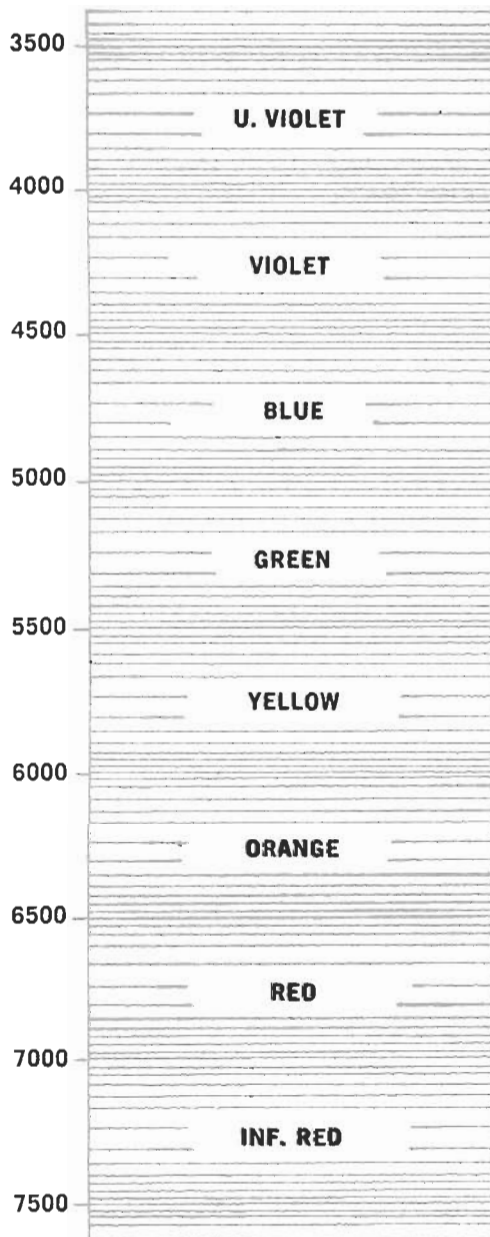
In specifying a photocell, care must be taken to insure that the voltage applied to the cell does not exceed the maximum allowable. Due to the fact that the maximum voltage is normally across a cell when it is in the dark, the voltage rating is measured with no illumination on the cell.

Summary

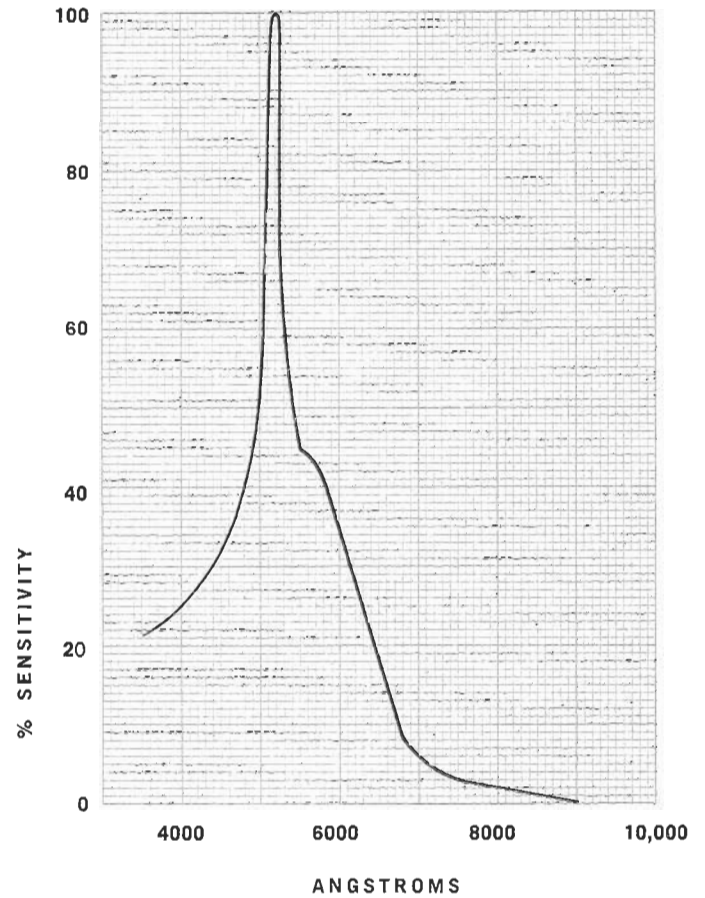
To properly select the best photocell for your application, it is important to understand the previous pages. Then examine the following charts and graphs to pick out the photocell closest to your design requirements.

PHOTOCONDUCTIVE MATERIALS

Wavelengths In Angstroms



TYPE 2 CdS, peak spectral response 5150 angstroms, bluest response photosensitive material, high stability, lowest temperature error. Can be used in applications requiring sharp differentiation in the blue green spectrum. For use with either fluorescent or incandescent lamps.



Variation of Conductance With Temperature and Light

Foot Candles	.01	0.1	1.0	10	100
Temperature					
% Conductance					
-25°C	85	103	106	107	107
0°C	94	100	101	102	104
25°C	100	100	100	100	100
50°C	98	96	98	97	97
75°C	86	92	98	97	96

Response Time Versus Light

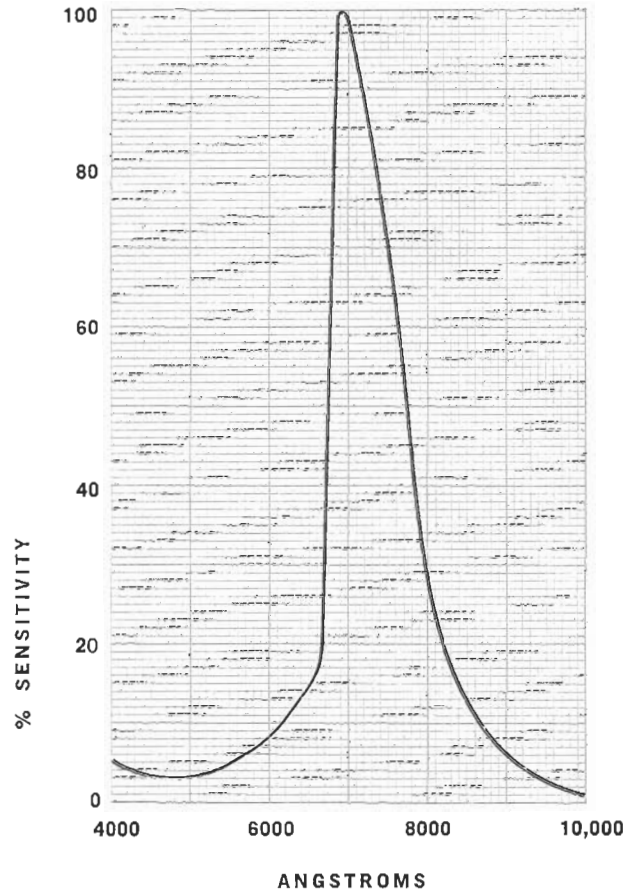
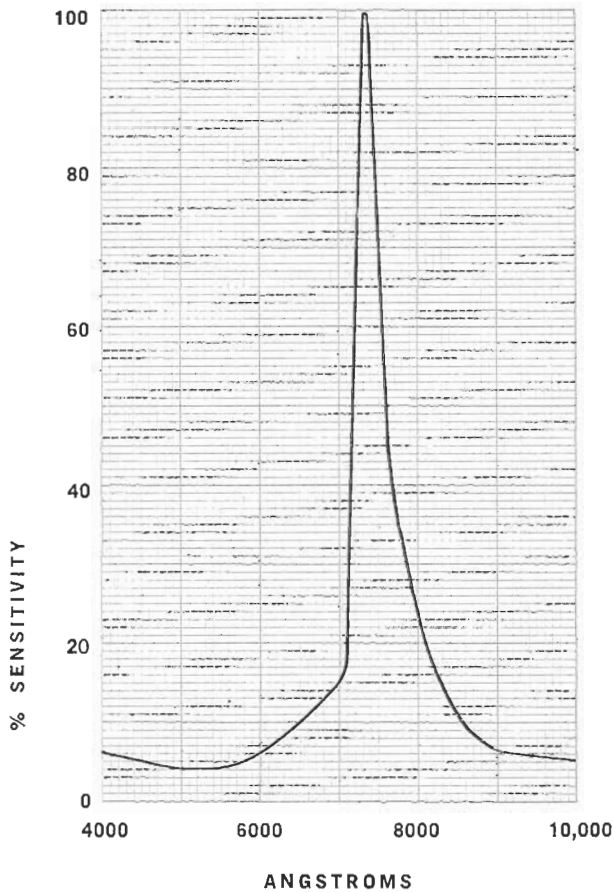
Foot Candles	.01	0.1	1.0	10	100
Rise (Seconds)*	1.410	.330	.066	.017	.006
Decay (Seconds)**	.570	.085	.022	.008	.005

*Time to (1 - 1/e) of final reading after 5 seconds Dark adaption.

**Time to 1/e of initial reading.

TYPE 3 CdSe, peak spectral response 7350 angstroms, fast response, and very high light-to-dark resistance ratio. Can be used for high speed switching or counting. Sensitive to near infra red. For use with incandescent or neon lamps.

TYPE 4, CdSe peak spectral response 6900 angstroms, lowest resistance photocells available. Can be used for "on-off" applications when low resistance is desired. For use with incandescent or neon lamps.



Variation of Conductance With Temperature and Light

Foot Candles	.01	0.1	1.0	10	100
Temperature	% Conductance				
-25°C	1070	320	172	116	109
0°C	500	230	140	110	108
25°C	100	100	100	100	100
50°C	43	30	57	79	87
75°C	44	20	25	42	62

Response Time Versus Light

Foot Candles	.01	0.1	1.0	10	100
Rise (Seconds)*	.350	.070	.020	.005	.002
Decay (Seconds)**	.045	.015	.009	.006	.002

*Time to (1-1/e) of final reading after 5 seconds Dark adaption.

**Time to 1/e of initial reading.

Variation of Conductance With Temperature and Light

Foot Candles	.01	0.1	1.0	10	100
Temperature	% Conductance				
-25°C	220	138	114	97	95
0°C	166	118	110	100	99
25°C	100	100	100	100	100
50°C	53	70	83	95	96
75°C	23	30	57	80	85

Response Time Versus Light

Foot Candles	.01	0.1	1.0	10	100
Rise (Seconds)*	1.780	.430	.088	.023	.005
Decay (Seconds)**	.160	.047	.030	.015	.008

*Time to (1-1/e) of final reading after 5 seconds Dark adaption.

**Time to 1/e of initial reading.

ORDERING INFORMATION

The following photocells represent the current standard types available from stock.

CL-500 SERIES

CL502	CL504L
CL502L	CL505
CL503	CL505L
CL504	CL507

CL-5M SERIES

CL5M2	CL5M4L
CL5M2L	CL5M5
CL5M3	CL5M5L
CL5M4	CL5M7

CL-600 SERIES

CL602	CL604L
CL603	CL605
CL603A	CL605L
CL603AL	CL607
CL604	CL607L
CL604M	

CL-700 SERIES

CL702	CL704L/2
CL702L	CL705
CL702L/2	CL705L
CL703	CL705/2
CL703A	CL705L/2
CL703M	CL705HL
CL703L	CL707
CL703/2	CL707L
CL703L/2	CL707H
CL704	CL707HM
CL704L	CL707HL

CL-900 SERIES

CL902	CL905N
CL902L	CL905L
CL903	CL905HN
CL903A	CL905HL
CL903N	CL907
CL903L	CL907N
CL904	CL907L
CL904N	CL907HN
CL904L	CL907HL
CL905	

OBSOLETE TYPES

TYPE	REPLACEMENT
CL402 (S)*	CL602
CL403 (S)*	CL603
CL404 (S)*	CL604
CL405 (S)*	CL605
CL407 (S)*	CL607
CL2P	CL602
CL3	CL603
CL3A	CL603A
CL4	CL604
CL 5D4	
CL 5D4L	
CL 5D5	
CL 5D5L	
CL 5D7	
CL 702/2	
CL 704M	
CL 704/2	
CL 705M	
CL 707M	
CL 902N	
CL 903AN	
CL 905H	
CL 907H	

*Side view cells replaced by either 700 or 900 series.



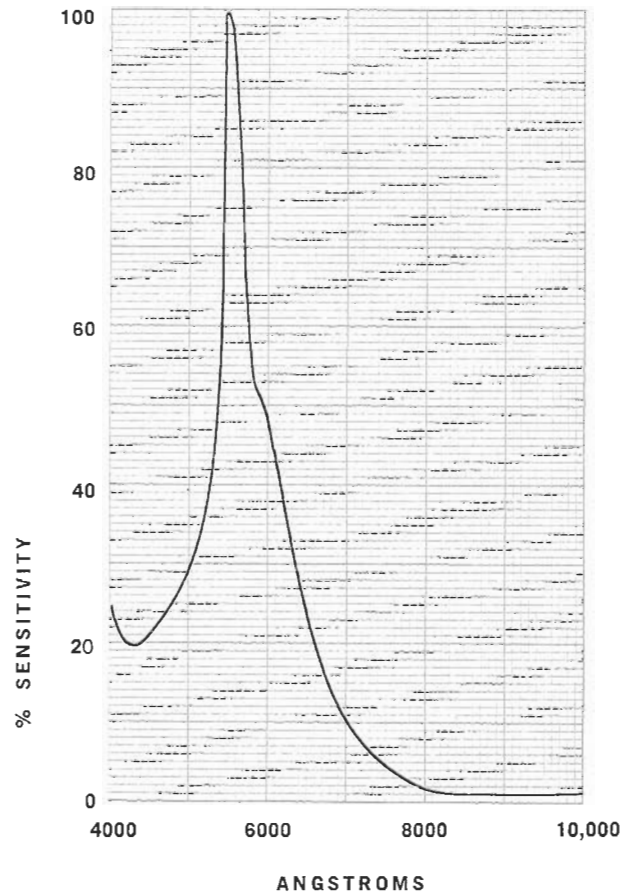
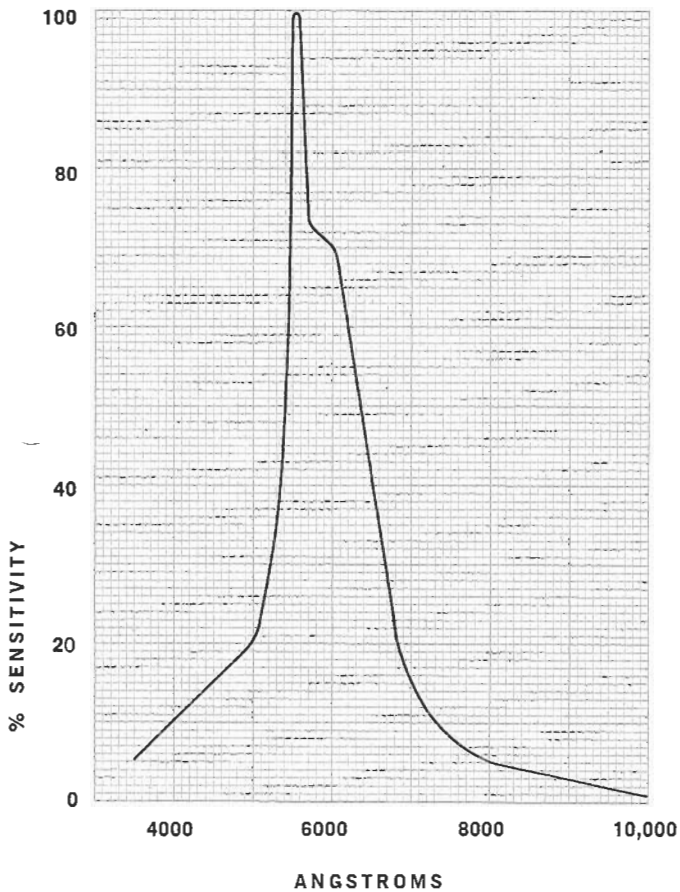
CLAIREX ELECTRONICS

A DIVISION OF CLAIREX® CORPORATION

560 South Third Avenue, Mount Vernon, N.Y. 10550 · (914) 664-6602

TYPE 5 CdS, peak spectral response 5500 angstroms (closely matches the human eye), most stable, lowest memory photocell available. Can be used in light measuring applications and precision low speed switching. For use with incandescent, fluorescent or neon lamps.

TYPE 5H CdS, peak spectral response 5500 angstroms (closely matches the human eye). Combines high speed, stability, linearity, and uniform color temperature response. Can be used for high speed switching or high stability measuring applications. For use with incandescent, fluorescent or neon lamps.



Variation of Conductance With Temperature and Light

Foot Candles	.01	0.1	1.0	10	100
Temperature	% Conductance				
-25°C	117	108	98	95	96
0°C	105	102	96	95	97
25°C	100	100	100	100	100
50°C	96	95	101	106	104
75°C	82	81	98	111	110

Response Time Versus Light

Foot Candles	.01	0.1	1.0	10	100
Rise (Seconds)*	5.80	.82	.140	.035	.010
Decay (Seconds)**	2.96	.56	.110	.043	.014

*Time to (1-1/e) of final reading after 5 seconds Dark adaption.

**Time to 1/e of initial reading.

Variation of Conductance With Temperature and Light

Foot Candles	.01	0.1	1.0	10	100
Temperature	% Conductance				
-25°C	80	85	85	88	99
0°C	93	91	91	89	98
25°C	100	100	100	100	100
50°C	93	96	105	112	109
75°C	51	81	102	120	125

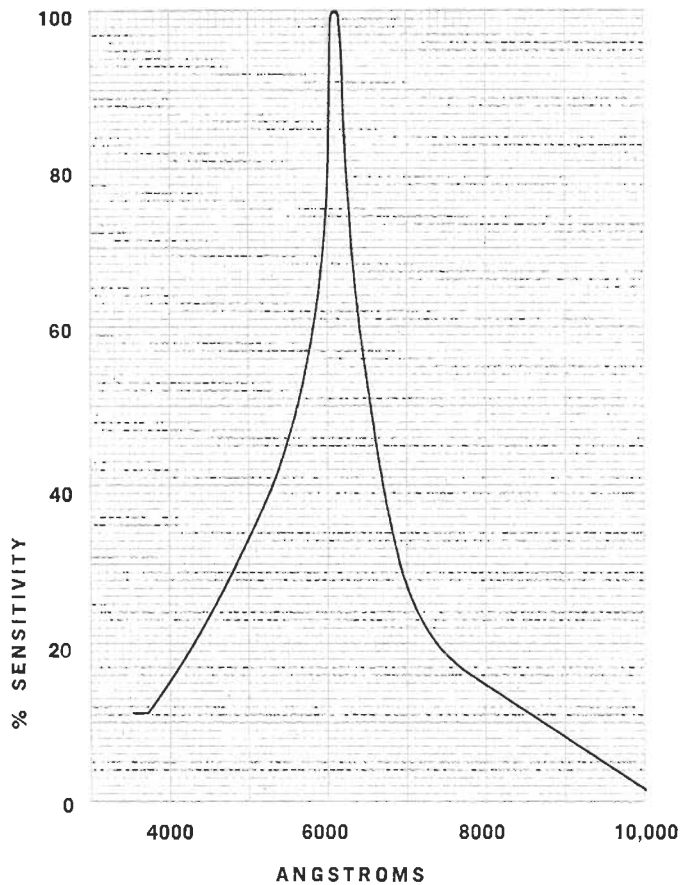
Response Time Versus Light

Foot Candles	.01	0.1	1.0	10	100
Rise (Seconds)*	1.460	.116	.030	.005	.002
Decay (Seconds)**	.159	.019	.004	.002	.001

*Time to (1-1/e) of final reading after 5 seconds Dark adaption.

**Time to 1/e of initial reading.

TYPE 7 CdS, peak spectral response 6150 angstroms, moderate speed and ratio. Can be used in general beam breaking applications. For use with incandescent, neon or fluorescent lamps.



Variation of Conductance With Temperature and Light

Foot Candles	.01	0.1	1.0	10	100
Temperature	% Conductance				
-25°C	114	106	98	92	91
0°C	112	110	101	97	96
25°C	100	100	100	100	100
50°C	74	84	92	96	100
75°C	37	59	72	85	90

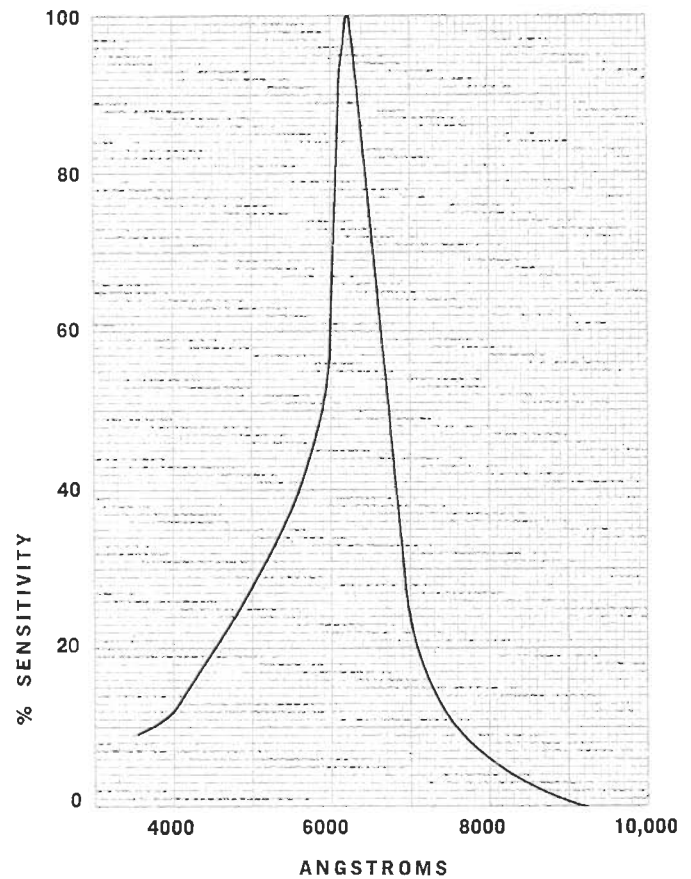
Response Time Versus Light

Foot Candles	.01	0.1	1.0	10	100
Rise (Seconds)*	.790	.320	.088	.022	.005
Decay (Seconds)**	.520	.093	.041	.016	.007

*Time to (1-1/e) of final reading after 5 seconds Dark adaption.

**Time to 1/e of initial reading.

TYPE 7H CdS Peak spectral response 6200 angstroms, fast decay time combined with low resistance and high slope. Ideal for fast switching between close light levels or where temperature stability is critical.



Variation of Conductance With Temperature and Light

Foot Candles	.01	0.1	1.0	10	100
Temperature	% Conductance				
-25°C	175	110	97	90	82
0	166	110	99	97	91
25°C	100	100	100	100	100
50°C	55	80	93	98	104
75°C	6	42	75	92	103

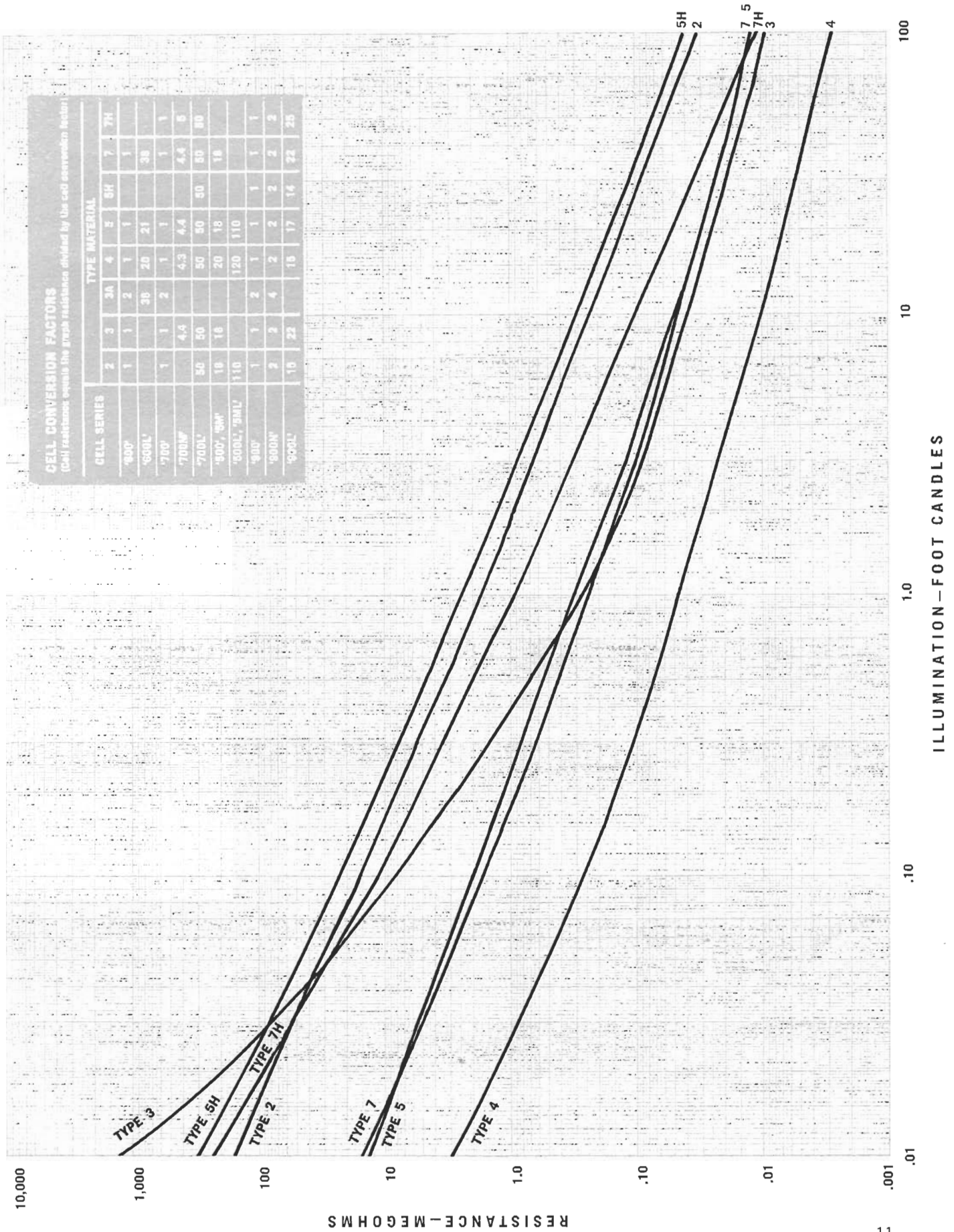
Response Time Versus Light

Foot Candles	.01	0.1	1.0	10	100
Rise (Seconds)*	2.51	.53	.11	.018	.004
Decay (Seconds)**	.40	.052	.006	.0015	.0006

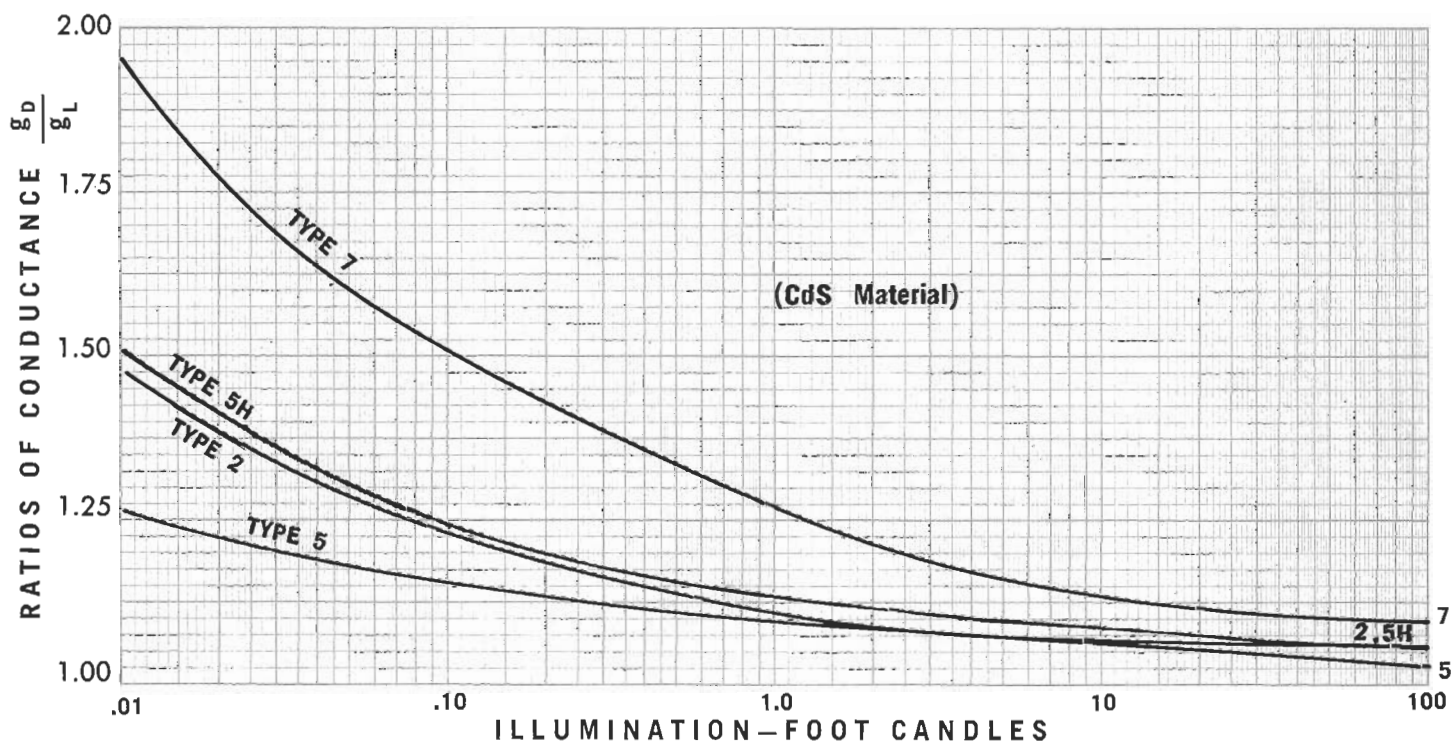
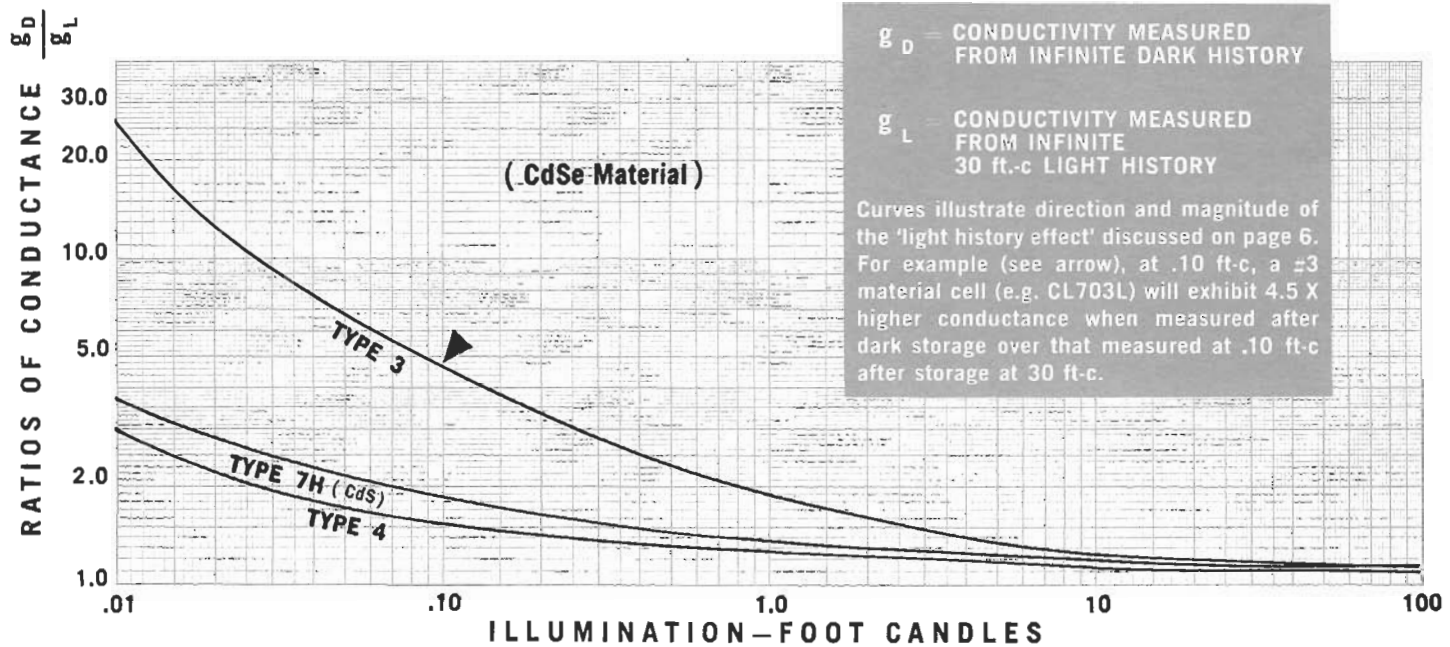
*Time to (1-1/e) of final reading after 5 seconds Dark adaption.

**Time to 1/e of initial reading.

CELL RESISTANCE CURVES

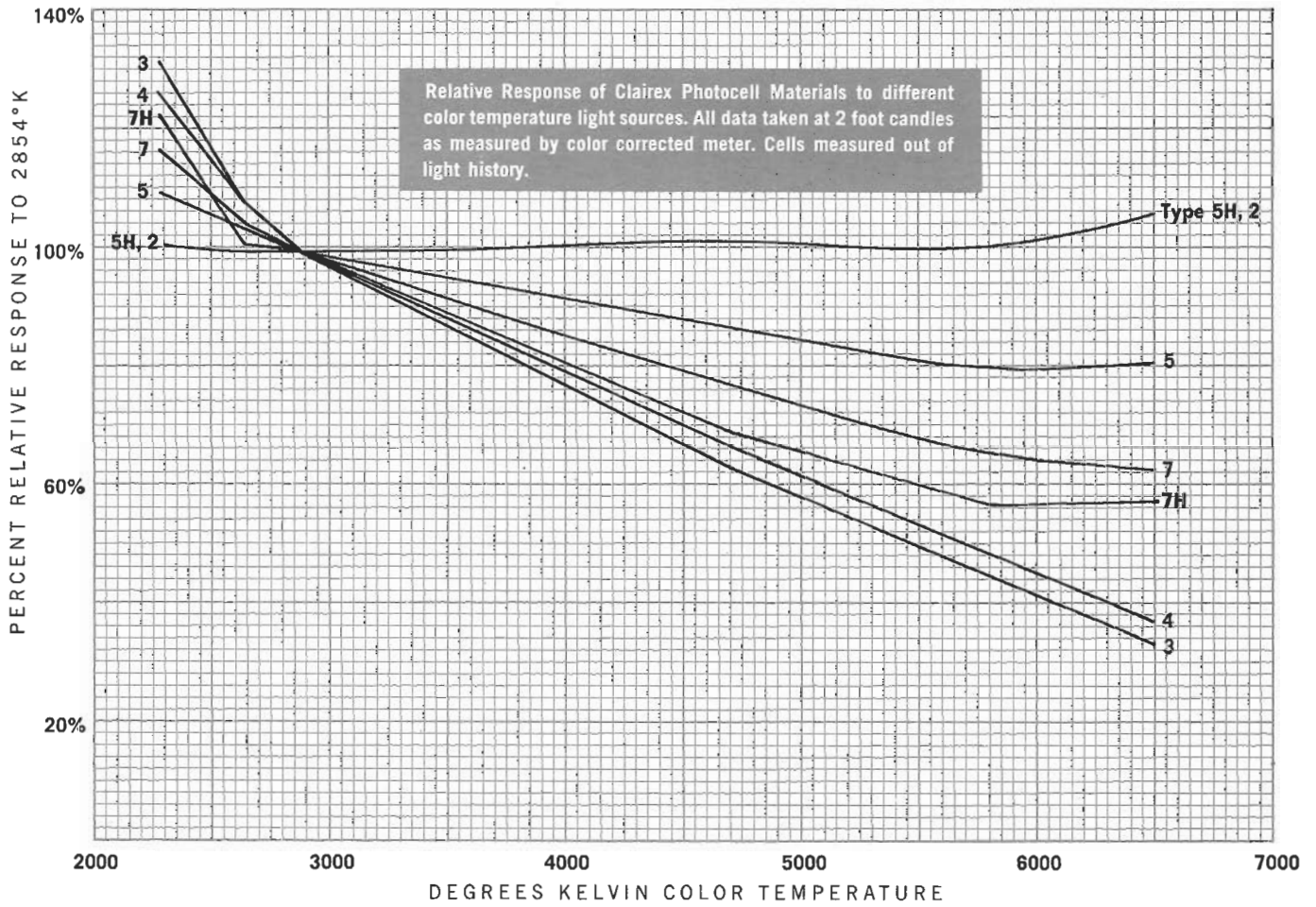


VARIATION OF CONDUCTANCE WITH LIGHT HISTORY

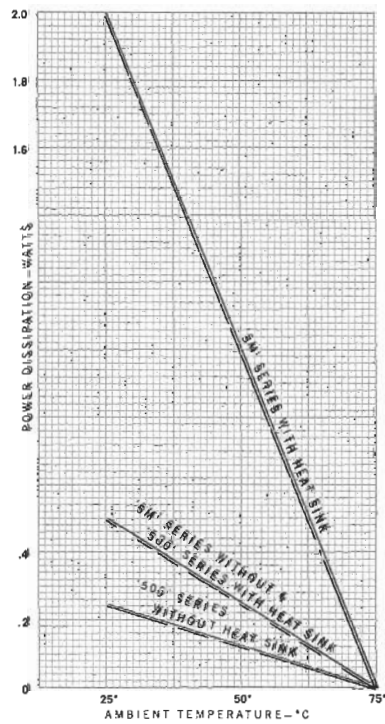
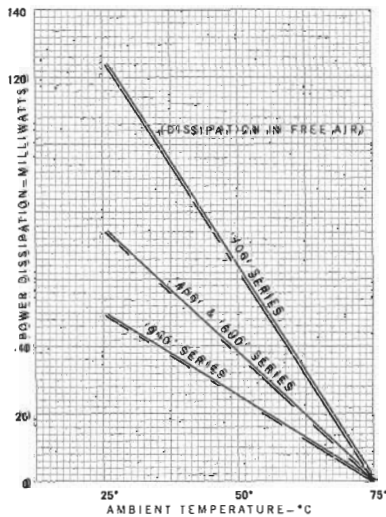


COLOR TEMPERATURE AND POWER DERATING CURVES

COLOR TEMPERATURE RESPONSE



POWER DERATING CURVES





LIGHT MEASUREMENT A DISCUSSION

Photometry is a difficult field of precise measurement. The original standard for candle power was a candle of special construction which was observed by the human eye as it burned and then compared to the unknown source. Thus the spectral quality of the light and the sensitivity of the sensor were extremely difficult to reproduce accurately. Today a special lamp has replaced this candle as the primary reference and the human eye has been replaced by thermopiles with filters to simulate eye sensitivity. However, even with these improvements, light measurements remain difficult to reproduce due to stray light effects, color temperature shifts, nonuniform light distribution, drift of sensors, and other circumstances.

In all photometric operations it is necessary for the lamps to be at a known color temperature. Since tungsten lamps have a continuous spectral output their spectral characteristics must be defined in terms of color temperature. For normal work, standard lamps are run at a color temperature of 2854°K.

The secondary standards used today are tungsten lamps which have been carefully measured for their candlepower output at a controlled voltage and current. These standards are available from the National Bureau of Standards as well as several private testing laboratories. Their output is expressed in HCP or Horizontal Candle Power. Output is normally measured in a plane perpendicular to the lamp's vertical axis at a height in line with the filament. Usually the lamp is also marked as to the front and rear sides. With this calibration it is possible to reproduce a variety of illumination levels, by just varying the distance between the photocell and lamp. The foot candles falling on the photocell will equal the HCP of the lamp divided by the square of the distance between them.

$$\frac{\text{HCP}}{D^2} = \text{Foot Candles}$$

Whenever possible, it is most desirable to make all light measurements in terms of foot candles as the most easily reproduced unit of light. Whenever foot candle measurements are made, it is important to keep the lamp as far away from the sensor as possible to enable it to act as a point source. A good rule of thumb: maintain a distance of at least six times the longest source dimension.

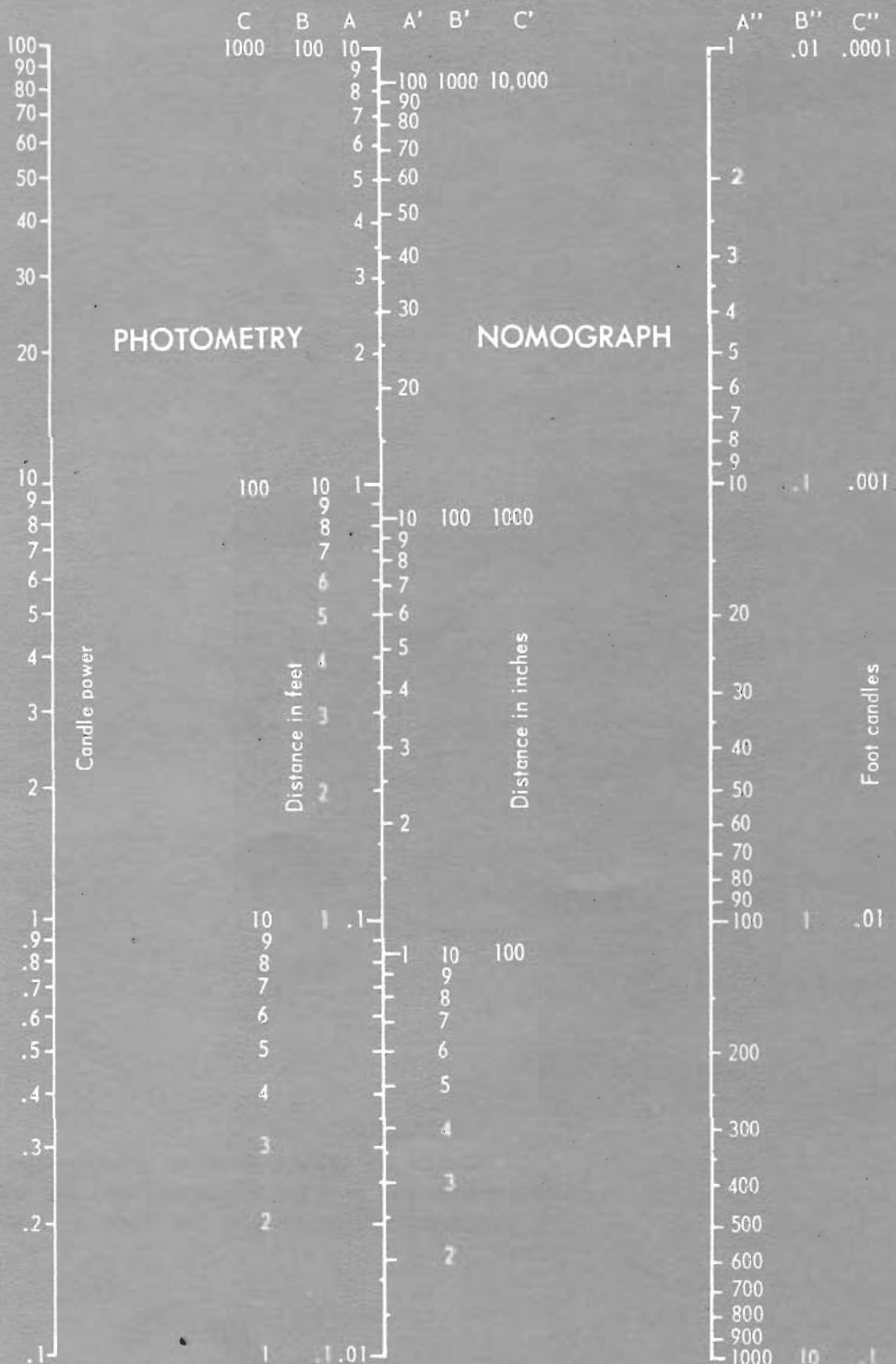
There are occasions when foot candle measurements are not applicable and brightness measurements are required. For example, if light is reflected from a secondary surface, causing it to be not a point source but an area source. The common unit used to express brightness is the foot lambert. A foot lambert is the brightness of a uniformly diffusing surface reflecting 100% of the light falling on it when illuminated with one foot candle. Therefore, if one foot candle illuminated a surface which had a reflectance of 80%, the brightness of the surface would be .8 foot lambert.

A frequent method of simulating brightness sources is to place a sheet of opal glass between the photocell and lamp. This glass is available calibrated for a conversion factor of foot lamberts on one side of the glass per foot candle illuminating the opposite side.

The nomograph to the right solves the light intensity equation noted previously for both feet and inches. Results are obtained on similar sets of scales, that is, either use all A scales for a calculation, or use the B or C scales as required by the quantities being calculated. For instance, a 20 candlepower lamp is 5 ft. from a photocell. What is the light intensity at the photocell? A line drawn from 20 on the Candlepower scale through the Distance scale, opposite 5 on scale B, intersects the Distance scale opposite 0.80 on the B scale.

PHOTOMETRY, NOMOGRAPH

(Read correspondingly headed columns. I.e., A, A', A'', etc.)



Unfortunately, most lamps are classified according to wattage rather than candle-power. The following approximate relationships are useful:

1. Depending upon the application for which they are designed, lamps are rated for lifetimes of seconds to near infinite life. The shorter the rated life, the higher the efficiency (cp/w) and the higher the color temperature of the light.
2. If we restrict ourselves to standard voltage (120v) inside-frosted incandescent lamps rated for 1000 hours, we find that:

Efficiency increases with increasing wattage.

A 25w lamp is near 19 cp, a 60w lamp near 60 cp and a 150w lamp is near 200 cp.

Color temperature increases with increasing wattage.

Color temperature of a 150w lamp is near 2900 Kelvin.

Light output varies at approximately the $3\frac{1}{2}$ power of the supply voltage (near rated voltage).

Lamp life is approximately proportional inversely to the 13th power of the supply voltage (near rated voltage).

When lamps are operated at constant voltage, light output falls with time, rapidly during the first 50 hours, more slowly thereafter (this is the reason for aging photometer lamps).

When lamps are operated at constant current, light output rises with time, slowly at first, then accelerating to catastrophic destruction.

A sample line drawn to the right for a 6 candle power lamp shows that at 2.94" or .245' from the lamp filament we have an intensity of 100 foot candles. Similarly, at 29.4" the intensity is 1 foot candle and at 294", .01 foot candle.

Several useful definitions:

A Foot Candle is the illumination produced when the light from one candle falls normally on a surface at a distance of one foot.

A Lux (commonly used in Europe) is the illumination produced when the light from one candle falls normally on a surface at a distance of one meter.

A point source emitting light uniformly in all directions radiates 4π lumens/candle.

A lambert is the brightness of a perfectly diffusing surface emitting or reflecting one lumen per square centimeter.

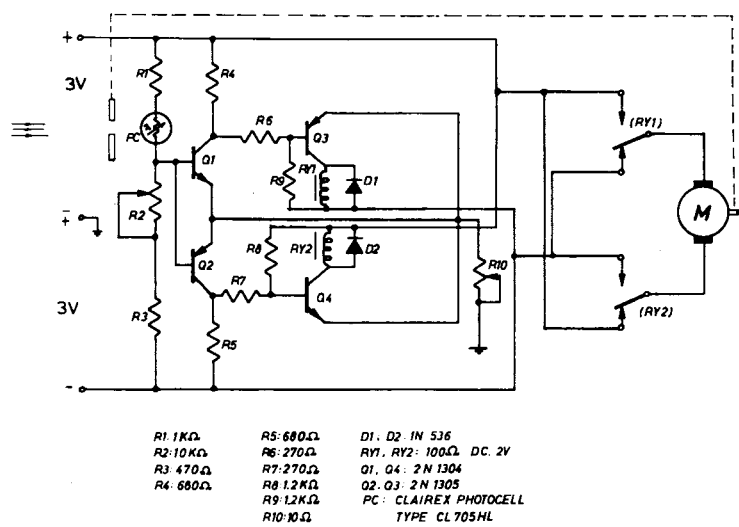
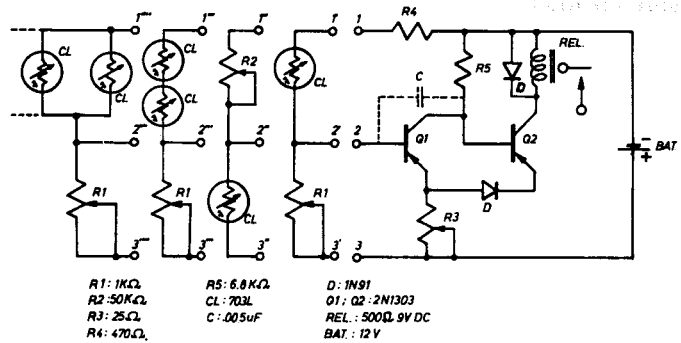
A Foot Lambert equals $1/\pi$ candles/sq. ft.

The Schmitt Trigger is a valuable control circuit that provides snap action control in which trip point and differential (hysteresis) are both adjustable independently of the relay characteristics.

Because of the trigger type switching, output transistor power dissipation is quite low even when considerable relay current is drawn.

- 1^I: Relay pulls in when cell is darkened
 - 1^{II}: Relay pulls in when cell is illuminated
 - 1^{III}: Both (or all) cells must be illuminated for relay to drop out ('AND' circuit)
 - 1^{IV}: Either (or any one) cell when illuminated will cause relay to drop out ('OR' circuit)
- R₁: sets operating point
R₂: sets differential

The controls interact and adjustments should be alternated till both operating point and differential are within required limits.



A simple but accurate relay-servo for aperture or illumination control.

Circuit drives cell resistance (illumination) to a value preset by R₂. R₁₀ controls dead-band.

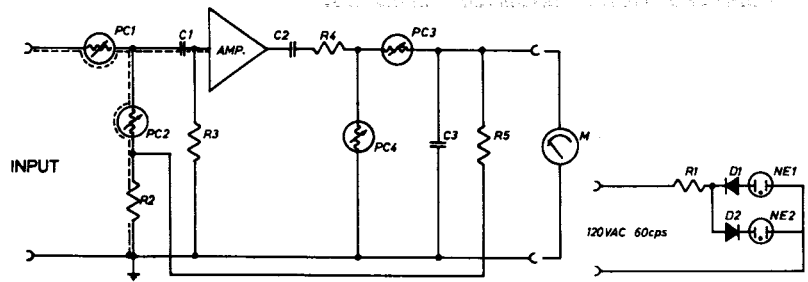
When level is correct, all four transistors are cut off. Power drain is limited to two relatively high resistance dividers permitting economical operation with dry cells.

LOW LEVEL CALIBRATED INPUT CHANNEL

Low level DC is converted to AC, amplified, synchronously rectified, and compared to the input for high accuracy independent of loop components other than the feedback resistor R₂ and R₃ and the reading meter.

For non-inverting amplifier, Ne₁ illuminates PC₁ and PC₂; Ne₂ illuminates PC₂ and PC₁.

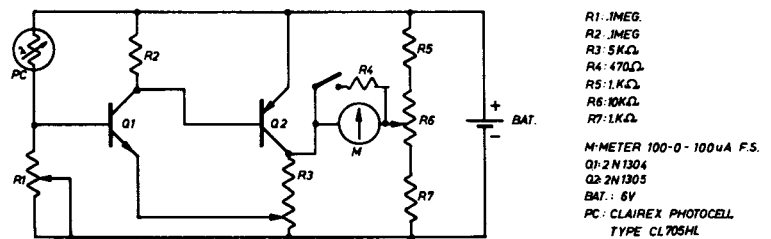
For inverting amplifier, Ne₁ illuminates PC₁ and PC₂; Ne₂ illuminates PC₂ and PC₁.



ADAPTABLE PHOTOCELL SERVO

This amplified bridge-type circuit is adaptable to measurements over an extremely wide range of cell resistance (light levels), to narrow range comparison measurements (color balance) and to intensity ratio measurements (contrast).

With the component values suggested, and using a CL705HL, light levels of less than .01 ft c may be measured or compared.



REMOTE CONTROL UNIT FOR STEREO PREAMPLIFIER AND POWER AMPLIFIER

This circuit requires no shielded wiring since the control leads are isolated from the audio circuits.

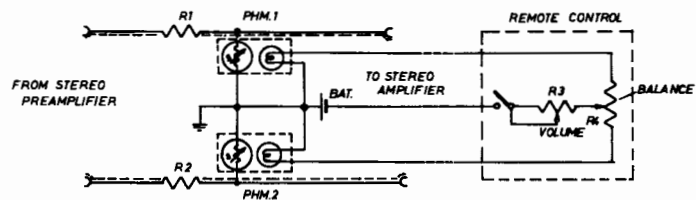
Control is smooth and noiseless. Control range is easily adequate for optimum personal adjustment almost anywhere in a room or hall.

Insertion loss needn't exceed that required for balance.

Unit may be installed between pre-amplifier and power amplifier.

Battery drain will not exceed 65 mA. A 6V 'hot shot' battery run 6 hours a day will serve for a month or more.

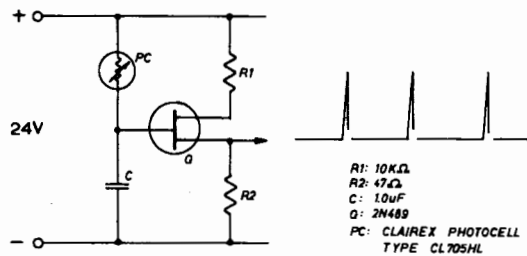
REMOTE CONTROL UNIT FOR STEREO PREAMPLIFIER AND POWER AMPLIFIER



- R1, R2: 47K
- R3: 500Ω, 4W
- R4: 500Ω, 4W
- PHM1, PHM2: CLAIREX PHOTOMOD TYPE CLM 5012
- BAT: 12V
- CLM 5012 = (CL 705L + 12V/40mA Lamp)

REMOTE CONTROL UNIT FOR STEREO PREAMPLIFIER AND POWER AMPLIFIER

The output pulse frequency is proportional to cell conductance which follows the light intensity.



- R1: 10KΩ
- R2: 47Ω
- C: 1.0μF
- Q: 2N489
- PC: CLAIREX PHOTOCCELL TYPE CL 705HL

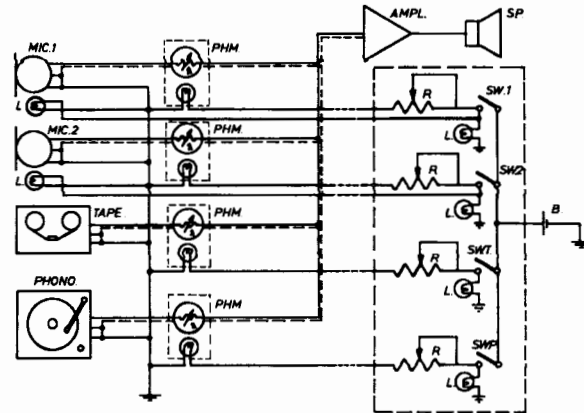
REMOTE CONTROL UNIT FOR STEREO PREAMPLIFIER AND POWER AMPLIFIER

Switching, mixing, and level control are all performed via isolated 'cold' low voltage DC lines.

Switching and level adjustments are clickless and noiseless.

A lamp at each mike indicates when the mike is 'live'.

REMOTE CONTROL UNIT FOR STEREO PREAMPLIFIER AND POWER AMPLIFIER

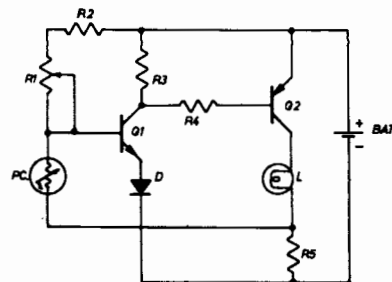


- R: 250Ω
- L: 12V
- PHM: CLM 5012
- B: 12V
- PHM: CLM 5012 + (CL 705L + 12V/40mA LAMP)

REMOTE CONTROL UNIT FOR STEREO PREAMPLIFIER AND POWER AMPLIFIER

For unattended lamps. Lamp goes on at dusk, off at dawn; day drain is less than one percent of night drain.

Low power transistors can be used even for ¼A lamps since circuit triggers output transistor from OFF to saturation.

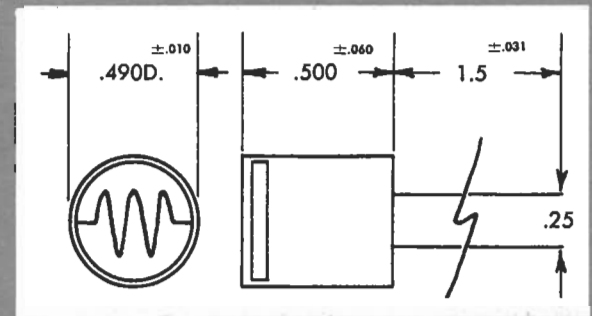


- R1: 10KΩ
- R2: 1KΩ
- R3: 27KΩ
- R4: 330Ω
- R5: 27Ω
- D: Si diode rated > 20mA
- L: ¼A
- BAT: 6V
- Q1: 2N 2923
- Q2: 2N 525
- PC: CLAIREX PHOTOCCELL TYPE CL 5MSL

CL-500 SERIES

HERMETICALLY SEALED 1/2" DIAMETER GLASS CASE

- 8 Types
- Maximum Power — Air: 1/4 Watt
- Maximum Power — Heat Sink: 1/2 Watt
- Resistance Tolerance at 2 ft-c: $\pm 33\frac{1}{3}\%$
- 5 Photoconductive Materials
- Temperature Range: -50°C to $+75^{\circ}\text{C}$



TYPE	Sensitive Material	Peak Spectral Response (Angstroms)	Resistance @ 2 ft-c (Ohms)	Min. Dark Resistance 5 sec. After 2 ft-c	Maximum Voltage Rating (Peak A.C.)	Measurement Voltage
CL502	Type 2 CdS	5150	55K	3.6 Meg	250V	10V
CL502L			9K	600K	170V	12V
CL503	Type 3 CdSe	7350	7.2K	48 Meg	250V	12V
CL504	Type 4 CdSe	6900	1.5K	400K	250V	10V
CL504L			.25K	67K	170V	1.35V
CL505	Type 5 CdS	5500	9K	600K	250V	12V
CL505L			1.5K	100K	170V	10V
CL507	Type 7 CdS	6150	7.2K	1.4 Meg	250V	12V

MEASUREMENT DATA • All measurements at 2854°K • Cells light adapted 16 hrs. at 30 ft-c prior to test
 • Measurement voltage is D.C. applied voltage for measuring resistance • All readings made at 25°C ambient.



CLAIREX ELECTRONICS

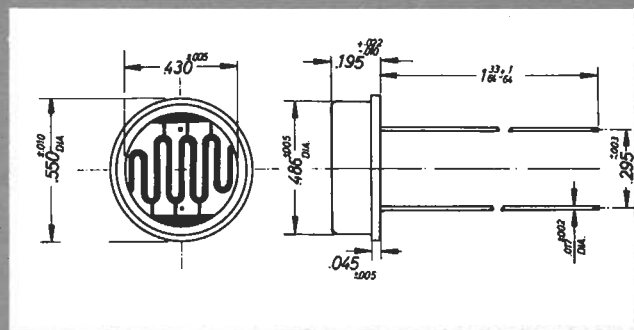
A DIVISION OF CLAIREX® CORPORATION

560 South Third Avenue, Mount Vernon, N.Y. 10550 • (914) 664-6602

CL-5M SERIES

HERMETICALLY SEALED TO-8 CASE

- 8 Types
- Maximum Power – Air: 1/2 Watt
- Maximum Power – Heat Sink: 2 Watts
- Resistance Tolerance at 2 ft-c: $\pm 33\frac{1}{3}\%$
- 5 Photoconductive Materials
- Temperature Range: -50°C to $+75^{\circ}\text{C}$



TYPE	Sensitive Material	Peak Spectral Response (Angstroms)	Resistance @ 2 ft-c (Ohms)	Min. Dark Resistance 5 sec. After 2 ft-c	Maximum Voltage Rating (Peak A.C.)	Measurement Voltage
CL5M2	Type 2 CdS	5150	55K	3.6 Meg	250V	10V
CL5M2L			9K	600K	170V	12V
CL5M3	Type 3 CdSe	7350	7.2K	48 Meg	250V	12V
CL5M4	Type 4 CdSe	6900	1.5K	400K	250V	10V
CL5M4L			.25K	67K	170V	1.35 V
CL5M5	Type 5 CdS	5500	9K	600K	250V	12V
CL5M5L			1.5K	100K	170V	10V
CL5M7	Type 7 CdS	6150	7.2K	1.4 Meg	250V	12V

MEASUREMENT DATA • All measurements at 2854°K • Cells light adapted 16 hrs. at 30 ft-c prior to test
 • Measurement voltage is D.C. applied voltage for measuring resistance • All readings made at 25°C ambient.



CLAIREX ELECTRONICS

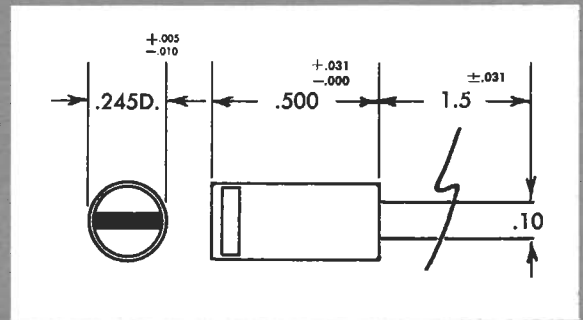
A DIVISION OF CLAIREX® CORPORATION

560 South Third Avenue, Mount Vernon, N.Y. 10550 • (914) 664-6602

CL-600 SERIES

HERMETICALLY SEALED 1/4" DIAMETER GLASS CASE

- 11 Types
- Maximum Power: 75mw @ 25°C
- Resistance Tolerance at 2 ft-c: $\pm 33\frac{1}{3}\%$
- 5 Photoconductive Materials
- Temperature Range: -50°C to +75°C



TYPE	Sensitive Material	Peak Spectral Response (Angstroms)	Resistance @ 2 ft-c (Ohms)	Min. Dark Resistance 5 sec. After 2 ft-c	Maximum Voltage Rating (Peak A.C.)	Measurement Voltage
CL602	Type 2 CdS	5150	1 Meg	66.7 Meg	300V	100V
CL603	Type 3 CdSe	7350	133K	880 Meg	300V	50V
CL603A			75K	500 Meg	300V	50V
CL603AL			3.5K	23 Meg	170V	8V
CL604	Type 4 CdSe	6900	30K	8 Meg	300V	20V
CL604M			7.5K	2 Meg	250V	10V
CL604L			1.5K	400K	170V	5V
CL605	Type 5 CdS	5500	166K	11 Meg	300V	60V
CL605L			7.5K	500 K	170V	10V
CL607	Type 7 CdS	6150	133K	27 Meg	300V	50V
CL607L			3.5K	700K	170V	8V

MEASUREMENT DATA • All measurements at 2854°K • Cells light adapted 16 hrs. at 30 ft-c prior to test
 • Measurement voltage is D.C. applied voltage for measuring resistance • All readings made at 25°C ambient.



CLAIREX ELECTRONICS

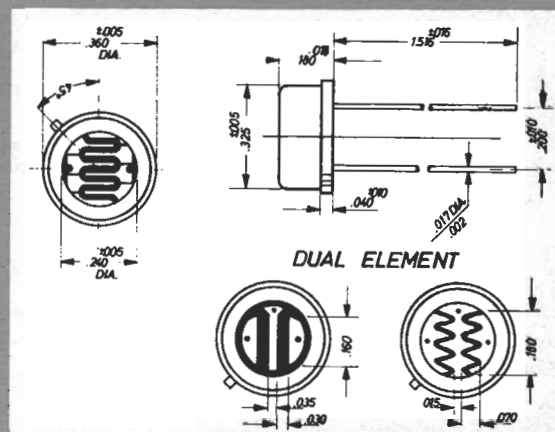
A DIVISION OF CLAIREX® CORPORATION

560 South Third Avenue, Mount Vernon, N.Y. 10550 • (914) 664-6602

CL-700 SERIES

HERMETICALLY SEALED TO-5 CASE

- 23 Types
- Maximum Power: 125mw @ 25°C
- Resistance Tolerance at 2 ft-c: $\pm 33\frac{1}{3}\%$
- 7 Photoconductive Materials
- Temperature Range: -50°C to +75°C



TYPE	Sensitive Material	Peak Spectral Response (Angstroms)	Resistance @ 2 ft-c (Ohms)	Min. Dark Resistance 5 sec. After 2 ft-c	Maximum Voltage Rating (Peak A.C.)	Measurement Voltage
CL702	Type 2 CdS	5150	1 Meg	66 Meg	300V	60V
CL702L			20K	1.3 Meg	100V	10V
*CL702L/2			46K	3 Meg	100V	10V
CL703	Type 3 CdSe	7350	133K	880 Meg	300V	50V
CL703A			67K	440 Meg	300V	50V
CL703M			30K	200 Meg	250V	20V
CL703L			2.7K	18 Meg	100V	10V
*CL703/2			50K	330 Meg	300V	50V
*CL703L/2			6.5K	43 Meg	100V	10V
CL704	Type 4 CdSe	6900	30K	8 Meg	300V	20V
CL704L			0.6K	160K	100V	4V
*CL704L/2			1.5K	400K	100V	10V
CL705	Type 5 CdS	5500	166K	11 Meg	300V	100V
CL705L			3.3K	220K	100V	10V
*CL705/2			166K	11 Meg	300V	100V
*CL705L/2			7.5K	500K	100V	15V
CL705HL	Type 5H CdS	5500	28K	18.7 Meg	100V	10V
*CL705HL/2			67.5K	45 Meg	100V	10V
CL707	Type 7 CdS	6150	133K	27 Meg	300V	100V
CL707L			2.7K	540K	100V	10V
CL707H	Type 7H CdS	6200	600K	335 Meg	300V	40V
CL707HM			100K	67 Meg	250V	24V
CL707HL			10K	6.7 Meg	100V	8V

*Dual Element Cell

MEASUREMENT DATA • All measurements at 2854°K • Cells light adapted 16 hrs. at 30 ft-c prior to test
• Measurement voltage is D.C. applied voltage for measuring resistance • All readings made at 25°C ambient.



CLAIREX ELECTRONICS

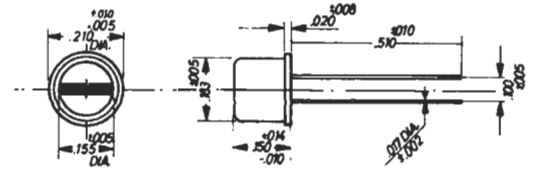
A DIVISION OF CLAIREX® CORPORATION

560 South Third Avenue, Mount Vernon, N.Y. 10550 • (914) 664-6602

CL-900 SERIES

HERMETICALLY SEALED TO-18 CASE

- 19 Types
- Maximum Power: 50mw @ 25°C
- Resistance Tolerance at 2 ft-c: $\pm 33\frac{1}{3}\%$
- 7 Photoconductive Materials
- Temperature Range: -50°C to +75°C



TYPE	Sensitive Material	Peak Spectral Response (Angstroms)	Resistance @ 2 ft-c (Ohms)	Min. Dark Resistance 5 sec. After 2 ft-c	Maximum Voltage Rating (Peak A.C.)	Measurement Voltage
CL902	Type 2 CdS	5150	1 Meg	66.7 Meg	250V	60V
CL902L			67K	4.5 Meg	100V	45V
CL903	Type 3 CdSe	7350	133K	880 Meg	250V	30V
CL903A			67K	450 Meg	250V	30V
CL903N			66K	440 Meg	100V	30V
CL903L			6K	40 Meg	100V	10V
CL904	Type 4 CdSe	6900	30K	8 Meg	250V	10V
CL904N			15K	4 Meg	100V	10V
CL904L			2K	520K	100V	8V
CL905	Type 5 CdS	5500	166K	11 Meg	250V	35V
CL905N			83K	5.5 Meg	100V	35V
CL905L			10K	670K	100V	10V
CL905HN	Type 5H CdS	5500	700K	467 Meg	100V	50V
CL905HL			100K	67 Meg	100V	40V
CL907	Type 7 CdS	6150	133K	27 Meg	250V	30V
CL907N			66K	13 Meg	100V	30V
CL907L			6K	1.2 Meg	100V	10V
CL907HN	Type 7H CdS	6200	300K	200 Meg	100V	20V
CL907HL			24K	16 Meg	100V	16V

MEASUREMENT DATA • All measurements at 2854°K • Cells light adapted 16 hrs. at 30 ft-c prior to test
• Measurement voltage is D.C. applied voltage for measuring resistance • All readings are made at 25°C ambient.



CLAIREX ELECTRONICS

A DIVISION OF CLAIREX® CORPORATION

560 South Third Avenue, Mount Vernon, N.Y. 10550 • (914) 664-6602

To order photoconductive cells or obtain technical information, contact the Clairex Corporation directly or your nearest Clairex representative.

Orders for Clairex standard photoconductive cells listed in this publication may be telephoned into the main office if your local distributor does not stock the cells of your choice.



CLAIREX ELECTRONICS

A DIVISION OF CLAIREX® CORPORATION

560 South Third Avenue, Mount Vernon, N. Y. 10550 • (914) 664-6602

10CL1076