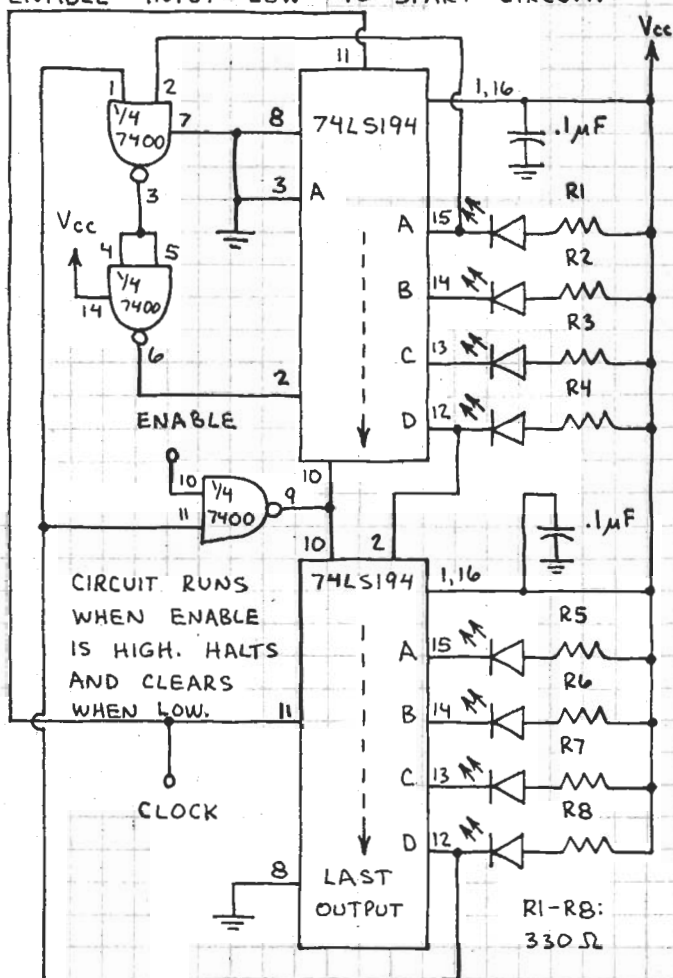


BARGRAPH GENERATOR

WHEN POWER IS FIRST APPLIED, MAKE ENABLE INPUT LOW TO START CIRCUIT.



OUTPUTS GO LOW AND STAY LOW ONE AT A TIME FROM LEFT TO RIGHT (A \rightarrow D) IN SEQUENCE WITH CLOCK. WHEN FINAL OUTPUT GOES LOW, ALL OUTPUTS BUT THE FIRST GO HIGH AND RECYCLE.