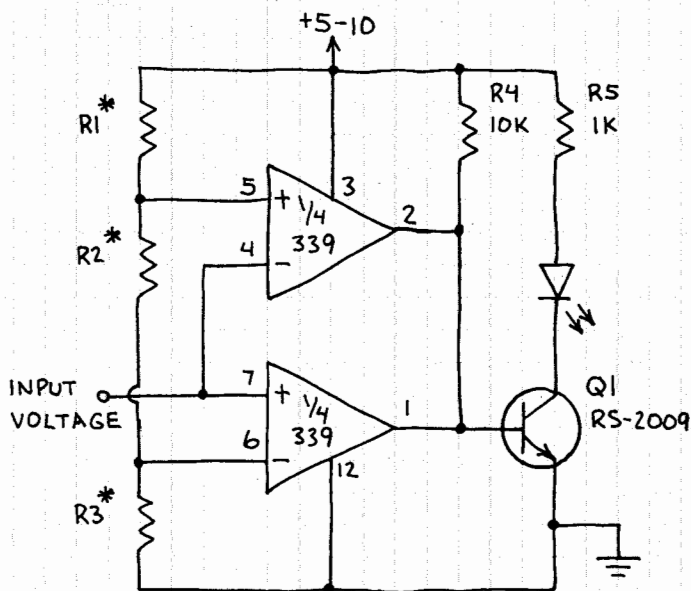


NUED)

WINDOW COMPARATOR



THE LED GLOWS WHEN THE INPUT VOLTAGE IS WITHIN THE WINDOW DETERMINED BY R1-R3. THE WINDOW IS 4-8 MILLIVOLTS WIDE * WHEN $R1 = 500\Omega$, $R2 = 1200\Omega$ AND $R3 = 1M$. IT EXTENDS FROM 1.5-4.2 VOLTS WHEN $R1$ AND $R3 = 15,000\Omega$ AND $R2 = 25,000\Omega$. USE POTS FOR R1-R3 FOR A FULLY ADJUSTABLE WINDOW.