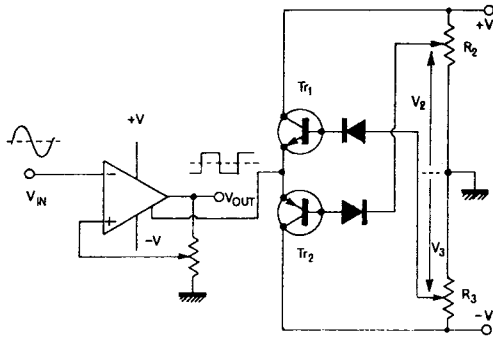


Op-amp comparator/Schmitt (bipolar clamping)



Circuit description

Operational amplifiers used as comparators (or as level-sensing circuits when positive feedback is used for hysteresis) have output swings which vary with temperature and from unit to unit. Some amplifiers have access to the drive point of the output stage and this point may be clamped at selected positive and negative potentials by zener diodes or suitably biased transistors as shown. Clipping is at much lower current levels than if attempted directly at the output. Variable resistors R_2 and R_3 set the positive and negative clamping levels, R_1 determines hysteresis at the clamping levels. Diodes provide base-emitter breakdown protection.

For $0 < V_2 < 3V$

$$V_{out}^+ = V_2 + 3V_{be}$$

$$V_{clamp}^+ = V_{out}^+ - V_{be}$$

For $-3V < V_3 < 0$

$$V_{out}^- = V_3 - 3V_{be}$$

$$V_{clamp}^- = V_{out}^- + V_{be}$$

Typical performance

Supplies: $\pm 5V$; IC: 748

Tr_1 : BC125; Tr_2 : BC126

Diodes: 1N914

R_1, R_2, R_3 : 10k Ω

With $V_{in} = 1V$ pk-pk

at 10kHz, $V_{\pm out}$ adjustable ± 1.6 to $\pm 4.4V$.

Rise and fall times

$\approx 700ns$.

Supply currents

$\pm 2.5mA$

Max $V_{in} = \pm V$.

Component changes

Useful range of supplies: ± 5 to $\pm 18V$.

Transistors: general-purpose silicon types.

Useful range of R_1 : 1 to 100k Ω .

Useful range of R_2, R_3 : 1k Ω (increases supply current drawn) to 100k Ω (produces error in V_2 and V_3 unless base current loading is reduced by use of higher-gain transistors).

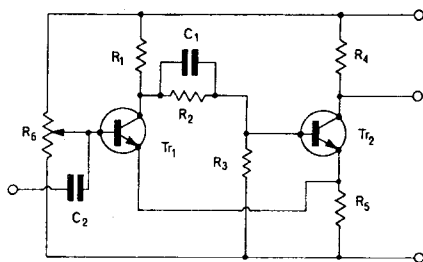
Useful frequency range: d.c. to approx. 160kHz. If a higher-speed operational amplifier is used, transistors may limit the frequency response unless high-speed versions are used.

Diodes may be omitted for low supply voltages and/or high reverse base-emitter breakdown transistors. Base-emitter junctions may receive supply voltage at extreme settings of R_2 and R_3 .

Wireless World Circard

Series 2: Comparators & Schmitts-2

Basic Schmitt circuit



Circuit description

Emitter coupling between Tr_1 and Tr_2 introduces positive feedback causing a regenerative switching action into one of two states. When V_{in} is below threshold level V_1 , Tr_1 is non-conducting and Tr_2 conducts, the base voltage being determined by R_1, R_2 and R_3 . The emitter potential is then well-defined. As input voltage exceeds V_1 , Tr_1 begins to conduct, reducing its collector potential, and hence that of the base and emitter of Tr_2 . This drop in potential is fed back to the emitter of Tr_1 , thus further increasing the conduction of Tr_1 until Tr_1 is on and Tr_2 is off. A similar regenerative action occurs when the input voltage is reduced below the threshold level V_2 , returning the circuit to its original condition. A typical input-output voltage characteristic is shown above, where $V_1 - V_2$ is termed the hysteresis or backlash of the circuit.

Component data

Transistors: BC125

Supply: +5V

R_1, R_4 : 4.7k Ω

R_2, R_3 : 2.2k Ω

R_5 : 1k $\Omega \pm 5\%$

R_6 : 4.7k Ω pot.

C_1 : 100pF (speed-up)

C_2 : 2.2 μF

Signal level from 500- Ω

source: 2V pk-pk.

Output swing: 1.5 to 5V

up to 100kHz.

Component changes

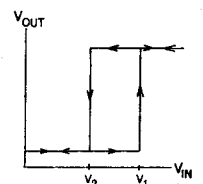
Resistor R_6 permits adjustment of threshold level V_1 . Useful ratio R_2/R_3 is in the range 0.5 to 2.0, giving control of trip level and hysteresis range of 0.2 to 0.8V.

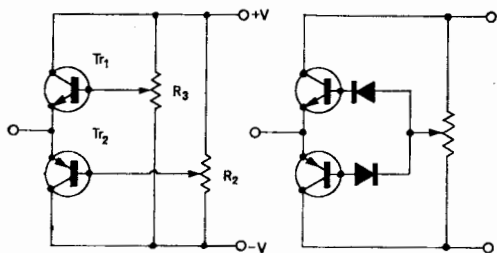
Useful C_1 range: 1nF to 100pF. Optimum 100pF at a source frequency of 1MHz.

Rise time: 150 to 100ns using oscilloscope probe.

For $R_4 = 1k\Omega, R_1 = 100\Omega, R_2/R_3 = 0.5$, output swing at 1MHz is 3 to 5V, for load capacitance up to 33pF.

Transfer characteristic





Circuit modifications

- Diodes could be placed in series with the emitters of the transistors. This still provides base-emitter breakdown protection but the diodes then carry the larger emitter currents producing larger diode p.d.s.

- R_2 and R_3 could be connected as shown on left allowing the base potentials of both Tr_1 and Tr_2 to be set positive or negative independently. It would then be possible for Tr_1 base to be positive and Tr_2 base to be negative, which would allow excessive conduction in Tr_1 , Tr_2 .

- Fig. on right shows a modification which allows the mean level of V_{out} to be set positive or negative by the potentiometer with its peak-to-peak value still determined by $\pm 3V_{be}$.

Further reading

IC op.amp beats fets on input current, National Semiconductor application note AN-29, 1969, p.15.

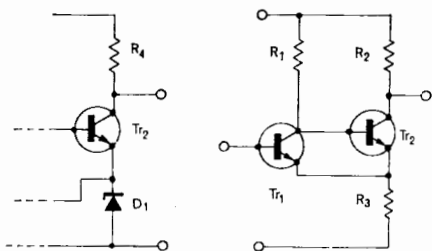
Clayton, G. B., Operational Amplifiers, Butterworth 1971, pp.145-9.

Applications Manual for Operational Amplifiers Philbrick/Nexus Research, 1968, pp.59 & 101.

Cross references

Series 2, cards 4 & 6.

© 1972 IPC Business Press Ltd.



Circuit modifications

The emitter resistor may be replaced by a zener diode¹ (left). This means the emitter potential variation is less dependent on current flow through each transistor. Typical performance:

$V_{CC} = 10V$, D: 5.1V zener diode. $R_1: 680\Omega$, $R_2, R_4: 1.5k\Omega$, $R_3: 3.3k\Omega$. Drive signal: 2V pk-pk; output swing: 5.2 to 10V. Hysteresis: 110mV.

On right, : useful range of R_3 : 10 to 500 Ω . Useful range of R_2 1 to 2k Ω . $R_1: 1k\Omega$. Typical performance:

$V_{CC} = 5V$, $R_E = 10\Omega$, $R_1 = R_2 = 1k\Omega$. Minimum sinusoidal drive signal at 100kHz: 2V pk-pk. Output swing: 0.8 to 5V.

Frequency may be increased to 300kHz if drive voltage is increased to 4V pk-pk.

Reference

1. Zero-hysteresis Schmitt trigger, in Electronic Circuit Design Handbook, 4th edition. 1971 p.108.

Further reading

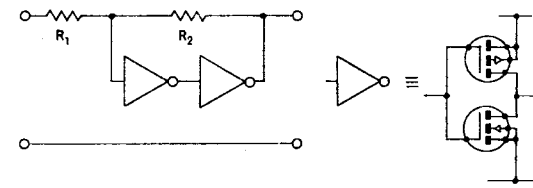
Crump, A. E., Design of Schmitt trigger circuits, *Wireless World*, vol. 73, 1967, pp.122-7 and 175-7.

Circuit Consultant's Casebook, Hemingway, T. K., Business Books, 1970, pp.129-37.

Cross references

Series 2, cards 3, 7 & 8.

Complementary m.o.s. Schmitt



IC: CD4007AE (connected as triple inverter)
 Supply: 10V
 R_1 : 1M Ω
 R_2 : 10M Ω
 V_1 : 5.9V
 V_2 : 5.1V
 Output swing: 10V
 Input current: $\pm 0.5\mu\text{A}$

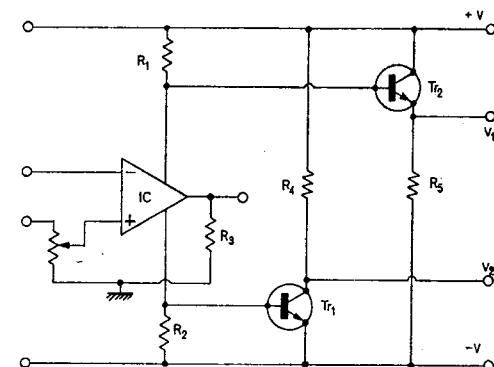
Circuit description

Two c.m.o.s. inverters are cascaded with positive feedback defined by ratio R_2/R_1 . Provided this ratio is less than the forward gain in the inverters' linear region, switching follows the appropriate input changes. Output swing approaches supply lines and current from source is small as very high input resistance of inverter allows R_1 , R_2 to be large. With small hysteresis switching levels are near supply mid-point.

Component changes

- Any combination of inverters, gates or buffers giving voltage gain $> +1$ may be used. Examples: RCA CD4001AE, Motorola MC14001 quad 2-input NOR gates; CD4009AE hex buffer inverters.
- Supply voltage +3 to +15V (special versions down to 1.5V).
- R_2/R_1 may be varied between 1 and 100. At upper end of range positive feedback may be too little to guarantee switching. At lower end hysteresis is comparable to supply voltage.
- To minimize capacitive effects/hum pickup reduce R_1 , R_2 to $\sim 10\text{k}\Omega$. Lower values reduce output swing and accuracy of hysteresis, while increasing current from source.

High-power comparator/Schmitt



Performance data

IC: 741; Supplies $\pm 5\text{V}$
 Tr_1 : BFR41, Tr_2 : BFR81
 R_1, R_2 : 220 Ω , R_3 : 270 Ω
 R_4, R_5 : 68 Ω , 3W
 Minimum $V_{in} = 800\text{mV}$
 pk-pk.
 Max. $\pm V = \pm 7\text{V}$,
 limited by R_4 and R_5 .

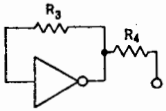
With maximum permissible sinusoidal input of 8V pk-pk, V_1 and V_2 are both square waves swinging between -5 and $+4.8\text{V}$, and -5 and $+5\text{V}$ respectively. V_1 and V_2 are in-phase while the currents in R_4 and R_5 are in anti-phase. Max. frequency 1kHz—waveform squareness is lost at higher frequencies.

Circuit description

The output swing of standard op-amps is significantly less than the supply voltage, particularly when the latter is low. The current available is also low. With some op-amps the current in the positive supply lead is large when the output voltage is positive and the output current is large but is small when the output voltage is negative. The negative supply current behaves similarly. The change in supply current as the input signal varies can be used to drive following transistors which may supply currents of several hundred milliamperes at a voltage very close to the supply voltage.

Component changes

- To maximize output voltage swings Tr_1 and Tr_2 must be driven into saturation i.e. base currents of 5 to 10% of load current are required. Reducing R_3 will increase base current.
- Resistors R_1 and R_2 may need to be reduced for some op-amps having larger off-load currents (180 Ω was found satisfactory for a 748).



Circuit modifications

- Buffer input with third inverter/gate increasing input resistance (typical input current $\sim 10\text{pA}$). Resistor R_1 may be dispensed with, the output resistance of buffer taking its place, with R_2 reduced to range 1 to $30\text{k}\Omega$. Resulting hysteresis in range 2.5 to 0.2V .

- Use spare inverter self-biased by large resistor ($\sim 10\text{M}\Omega$) (see Fig.) to bias input terminal of first inverter via second resistor ($\sim 10\text{M}\Omega$). This sets mean potential near to centre of linear region, assuming well-matched inverters. Signals may now be a.c. coupled and 200mV pk-pk typically triggers circuit over a range of supply voltage and temperature with no adjustment of bias level.

Further reading

Dean, J. A. & Rupley, J. P., Astable and monostable oscillators using RCA COSMOS digital integrated circuits, RCA application note ICAN-6267.

Schmidt, B., Schmitt trigger design uses CMOS logic, *Electronic Design*, Vol. 20, 27 April 1972, p.72.

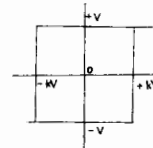
Cross reference

Series 2, cards 1, 2 & 8.

© 1972 IPC Business Press Ltd.

Circuit modifications

The circuit can be altered to give a Schmitt characteristic with controllable hysteresis by connecting either V_1 or V_2 via the pot. shown to the non-inverting input of the op-amp. Using V_2 we obtain the characteristic shown right in which k is the pot tapping and V the supply voltage (5V). This hysteresis is not dependent on the saturation level of the amplifier as it would be if the amplifier output were fed back. Hysteresis width is controllable up to about 0.1V of the pk-pk value of the input provided the input is kept below about 5V pk-pk.



Further reading

Campbell, D. L. and Westlake, R. T. Build a high current servoamplifier with i.cs. *Control Engineering*, December 1969, p.91.

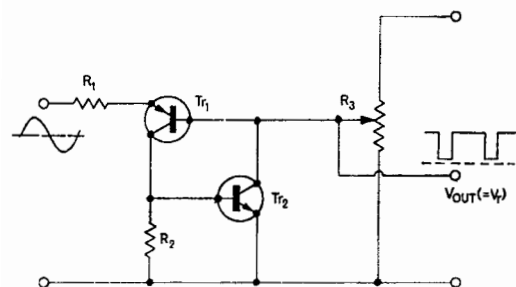
Widlar, R. J., IC op-amp beats f.e.ts on input current, National Semiconductor application note AN-29, 1969, p.15.

Cross references

Series 2, card 9.

© 1972 IPC Business Press Ltd.

Unijunction-equivalent Schmitt



$$V_{in}(\text{on}) = V_r + (n+1) V_{be}(\text{on}),$$

where $n = R_1/R_2$

Typical performance

Supply: +5V
 Tr₁: BC126 Tr₂: BC125
 R₁, R₂: 1kΩ R₃: 4.7kΩ
 $V_{out}(\text{on}) = 0.04V$
 $V_{out}(\text{off}) = V_r = 2.5V$
 $V_{in}(\text{on}) = 3.8V$
 $V_{in}(\text{off}) = 3.0V$
 Supply current: 8mA
 (on), 1mA (off)

Circuit description

The transistors together have properties similar to those of a unijunction transistor. When V_{in} is low Tr₁ and Tr₂ do not conduct and V_r is defined by R₃. For $V_{in} \approx V_r + 1.3V$, Tr₁ and Tr₂ begin to conduct, regenerative switching via Tr₂ clamping V_{out} close to 0V. Reversal of switching occurs when V_{in} falls. Significant current is drawn from the source unless a limiting resistor (R₁) is included.

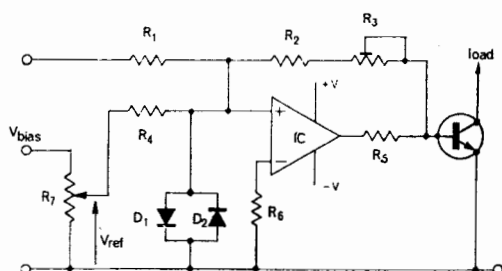
Component changes

Tr₁: any general purpose p-n-p silicon transistor.
 Tr₂: any general purpose n-p-n silicon transistor.
 Maximum useful frequency $\approx 100kHz$.
 Range of V_r source resistance (seen by Tr₁ base): about 2.2kΩ to 33kΩ.
 $R_1(\text{max}) \approx 3.3k\Omega$. For large R₁ values V_r source resistance must be increased for rapid switching action. The output can only be lightly loaded with large V_r source resistance.

Wireless World Circard

Series 2: Comparators & Schmitts-6

Variable hysteresis level detector



Circuit description

V_{ref} adjusts the level at which the output switches without affecting hysteresis. Positive feedback path R₂ and R₃ provides hysteresis controllable by R₃. Sensitivity can be modified by changing input resistance R₁. Positive output swing is determined by the base-emitter voltage of the transistor and the negative output by the particular operational amplifier used. Diodes on the input provide breakdown protection of the op-amp against excessive input voltages.

Component data

Supplies: $\pm 15V$
 R₁, R₄: 2.2kΩ
 R₂: 100kΩ
 R₃: 100MΩ
 R₅: 3.3kΩ
 R₆: 1kΩ
 R₇: 1kΩ

D₁, D₂: general-purpose diodes.
 IC: 741
 Tr: ME4103 (in general determined by driving circuit)
 All resistors $\pm 5\%$.

Component changes

IC: 748 or LM301A.
 For V_{ref} of -1V to -14V, R₃ = 0, supplies: $\pm 15V$;
 hysteresis: 180mV $\pm 2\%$;
 trip level: $V_{ref} + 200mV$.
 For V_{ref} of -1V to -4V, R₃ = 0, supplies: $\pm 5V$;
 hysteresis: 700mV $\pm 5\%$;
 trip level: $V_{ref} + 100mV$;
 Hysteresis: 10mV, R₃ = 1MΩ, supplies: $\pm 10 \rightarrow \pm 15V$; trip level: $V_{ref} + 100mV$.
 In general, hysteresis may be further increased by reducing R₂ + R₃.

Circuit modifications

If the input voltage is fed directly to Tr_1 emitter the circuit may be used to clamp it to a low level (about 0.7V with a 5V supply) when it exceeds some maximum permissible level. For example, V_r could be the output from a voltage regulator and V_{in} its input voltage. If V_{in} (regulator input) rises excessively the circuit will rapidly clamp the regulator input to a low value protecting the regulator and the circuitry it supplies during the time taken for the supply fuse to blow. The transistors require a current rating greater than the supply peak current on s.c. loading. R_2 and R_3 may then need to be reduced.

Further reading

General Electric transistor manual, 1964, Chapter 13.
Unijunction transistor timers and oscillators, Motorola application note AN-294 (appendix), 1967.

Cross references

Series 2, cards 2 & 12.

© 1972 IPC Business Press Ltd.

Circuit modifications

- If output voltage swing required at lower currents, Tr may be omitted and R_5 reduced to zero. Hysteresis is then controlled by op-amp output swing.
- Alternative methods of defining output swing and hence hysteresis include series back-to-back zener diode or diode limiting circuits.
- For higher speed operation, IC may be any comparator.
- For higher output currents, Tr may be replaced by a Darlington pair. If only an indication of output state is required, most op-amps can deliver sufficient current to drive small light-emitting diodes.

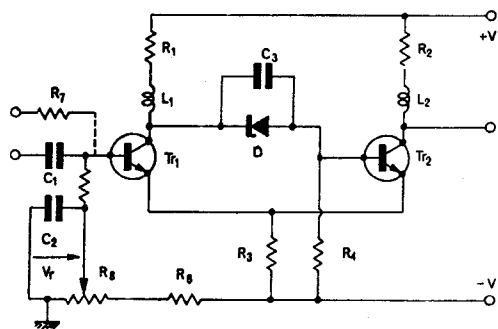
Further reading

Linear Integrated Circuits Handbook, Marconi-Elliott Microelectronics, pp.167/8.
Smith, J. I., Modern Operational Circuit Design, Wiley, 1971, pp.186/7.

Cross references

Series 2, cards 9-11.

High-speed Schmitt circuit



Circuit description

For maximum speed, Schmitt trigger circuits should operate with the transistors out of saturation at all times. A zener diode in the bias network can assist this. In this circuit, current levels are higher than in the basic Schmitt to maximize gain-bandwidth product. The inductors compensate for capacitive loading to optimize rise time. The upper and lower thresholds are negative and the hysteresis is variable but is not independent of the threshold levels.

Typical performance

Supplies: $\pm 5V$
 Tr_1, Tr_2 : BSX20
 D_1 = BZX55, C3V9
 R_1, R_2, R_3, R_5, R_7 : 100 Ω
 R_4 10k Ω .
 R_6 : 3.3k Ω ; R_8 : 1k Ω
 C_1, C_2 : 0.1 μF ; C_3 : 27pF
 L_1, L_2 : 0

$V_r = -1.0V$; $V_{in}(Tr_{2on}) = -2.02V$; $V_{in}(Tr_{2off}) = -0.31V$
 Hysteresis: 1.71V
 $V_{out(on)} = 0.2V$
 Supply current
 +40mA, -50mA Tr_{2off}
 +43mA, -51.5mA Tr_{2on}

Component changes

Useful range of V_r : 0 to -1.47V

Corresponding hysteresis range: 2.9 to 1.64V.

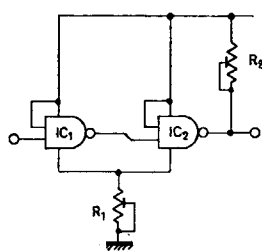
L_1 and L_2 can be adjusted to produce a required rise time with a defined overshoot for given capacitive loading. The same principle applies to the complementary Schmitt. With $L_1 = L_2 = 0.11\mu H$, rise time < 8ns with 5% overshoot at low switching rates.

The circuit functions to at least 40MHz with defined output levels although the waveform is rounded at high frequencies. Careful printed circuit layout is necessary for good high-frequency operation.

Wireless World Circard

Series 2: Comparators & Schmitts-8

TTL Schmitt circuit



Performance data

Graph obtained with

R_2 : 250 Ω , R_1 : 30 Ω

Supply: 5V

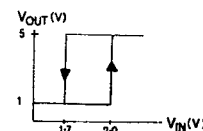
ICs: 7400

Frequency 0 to 1MHz.

Threshold values and hence hysteresis may be changed slightly by varying R_1 and R_2 .

Lower limit (1V as shown) is affected by R_1 and R_2 .

With $R_1 = 0$ there is no positive feedback and switching is not clean. With $R_2 = \infty$ upper limit is reduced from 5V.



Circuit description

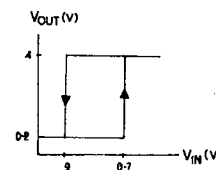
Each NAND gate with one input gate disabled behaves as an inverter. The circuit with positive feedback via R_1 is very similar to the basic Schmitt trigger as each gate is essentially identical. This results in the potential across R_1 being constant and independent of which inverter is enabled. This results in an offset voltage compensated by R_2 .

Component changes

Any t.t.l. inverter may be used.

Circuit modifications

An alternative t.t.l. Schmitt is SN7413, produced by Texas, and has two in a single package. Typical characteristics are shown below. Frequencies up to several MHz can be handled, but ringing may occur beyond 100kHz if the circuit layout is poor.



Circuit modifications

Precise adjustment of the negative rail voltage allows the output to be made truly t.t.l.-compatible with levels of 0V and +5V. The output from Tr_2 may be used to feed a high-speed t.t.l. gate or an e.c.l. gate to "square up" the waveform at high frequencies. Circuits of this type may be useful in conjunction with t.t.l. or e.c.l. circuitry as they provide alternative options of switching levels and hysteresis. To assist supply decoupling at high frequencies, ferrite beads can be added to the supply line wiring.

Further reading

E-Line Transistors Applications, Ferranti, 1969. p.20.
MECL Integrated Circuit Schmitt Triggers, Motorola application note AN-239.

Cross references

Series 2, card 2 & 8.

© 1972 IPC Business Press Ltd.

Further reading

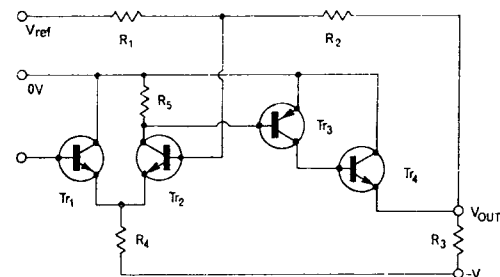
Electronic Circuit Design Handbook, Tab Books, 4th edition, p.129.
Designing with t.t.l. Integrated Circuits, McGraw-Hill, 1971. pp.53-7.
MECL Integrated Circuit Schmitt Triggers, Motorola application note AN-239, 1967.

Cross references

Series 2, cards 2, 3 & 7.

© 1972 IPC Business Press Ltd.

Low-voltage level sensor



Supply: -12V
 V_{ref} : -1V
 Tr_1, Tr_2, Tr_4 : BC125
 Tr_3 : BC126
 Switching levels
 on: -1.35V
 off: -1.03V

R_1 : 3.3k Ω
 R_2 : 100k Ω
 R_3 : 470 Ω
 R_4 : 82k Ω
 R_5 : 10k Ω

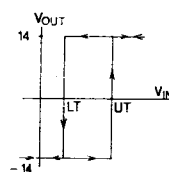
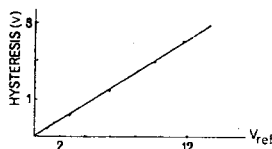
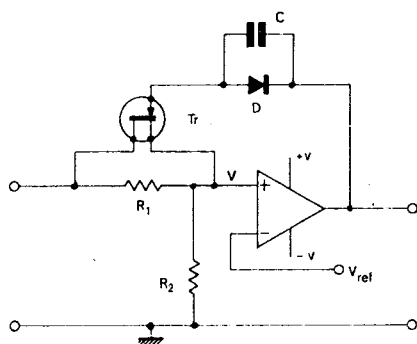
Circuit description

Operation from single-ended supplies makes level-sensing of low voltages difficult (lower limit usually set by transistor V_{be}). Taking signal and reference voltages with respect to opposite side of supply as shown allows much reduced triggering voltages. A long-tailed pair drives an inverting stage with positive feedback from the output to the non-inverting input. Input current is small, reducing to zero after switching. For positive-going signals, a complementary version using a positive supply voltage gives comparable results.

Component changes

- Supply voltage -5 to -25V, upper value depending on transistor breakdown. At lower voltages, switching levels become more supply sensitive. Reduce R_4 at lower supply voltages to keep current in it to $\sim 120\mu A$.
- Reference voltage -200mV to -5V.
- Load currents up to 100mA possible with no change in circuit. Replacing Tr_4 by higher rating transistor, and scaling all resistors down by factor of 5 allows load currents of up to 0.5A (BFR41, BFY50 etc).
- Tr_1 - Tr_4 replaced by any general-purpose silicon planar transistors results in comparable performance: matched pair at input reduces drift.

Reference-controlled hysteresis circuit



Performance data

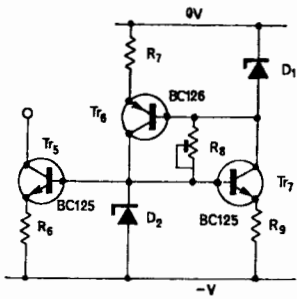
Graphs obtained with
 Supplies: $\pm 15V$
 Tr : Motorola 2N4092
 D : 1N914, IC: 741
 R_1 : 5.6k $\Omega \pm 5\%$
 R_2 : 27k $\Omega \pm 5\%$
 C : 100pF
 Lower threshold (l.t.):
 V_{ref}
 Upper (u.t.): $V_{ref} \cdot (R_1 + R_2)/R_2$
 Hysteresis: $V_{ref} R_1/R_2$
 Max. frequency: 300Hz
 V_{ref} must remain positive.

Circuit description

With a low V_{in} , V_{out} is initially negative and the f.e.t. switch is off. V' is then given by $V_{in} \cdot R_2 / (R_1 + R_2)$. Increasing V_{in} until V' is just greater than V_{ref} causes V_{out} to change sign, the f.e.t. then conducts and shorts out R_1 making V' equal to V_{in} and forcing V_{out} to become even more positive. V_{out} will only become negative again when V_{in} is reduced below V_{ref} . The positive feedback does not come into action immediately V_{out} starts to leave its saturated condition, so the output may lie between the saturated levels.

Component changes

Using a 748 op-amp the maximum frequency can be extended to 4kHz. National Semiconductor f.e.t. 2N3819/7127 may be used. R_1 is chosen such that the f.e.t. on-resistance is much lower than R_1 and the off-resistance is much higher than R_1 . Varying R_1 and R_2 hysteresis of $0.1V_{ref}$ and $10V_{ref}$ can easily be obtained. Choice of diode and capacitor is not critical.



Circuit modifications

- Reference and signal inputs may be interchanged if minimum current drain from reference is required.
- Replacing R_4 by constant-current circuit minimizes shift of switching levels with varying supply voltage. Fig. shows a ring-of-two reference circuit biasing constant-current stage, and providing stable voltage across R_7 to act as switching-level reference. Replaced by potentiometer for variable reference.
- Tapping R_2 with a zener diode to 0-V line stabilizes hysteresis without limiting output voltage swing.
- For light loading Tr_4 may be omitted.

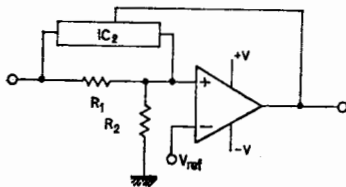
Further reading

- Williams, P., Low-voltage level-sensing circuit, *Electronic Engineering*, 1968, pp.517-9.
Callahan, M. J., Integrated level detector, *IEEE Journal of Solid-State Circuits*, vol. SC-7, 1972, pp.185-8.

Cross reference

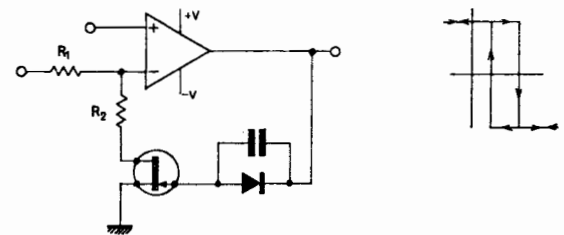
Series 2, cards 6, 10 & 11.

© 1972 IPC Business Press Ltd.



Circuit modifications

- With a negative V_{ref} , V' should be connected to the inverting input and V_{ref} to the non-inverting input to obtain the positive feedback switching action.
- With a low reference voltage and low supply voltage (e.g. $<1V$ with $\pm 5V$ supply), f.e.t. pinch-off voltage causes unsatisfactory switching. The f.e.t. and its associated diode and capacitor may be replaced by a c.m.o.s. switch, left. The switch used was CD4016AE, the minimum R_1 in this case being about $10k\Omega$.
- For applications where V_0 is required to be positive, for positive V_{ref} and small V_{in} , one may use the circuit on right, the resulting characteristic being as shown on right. The formulae for the upper and lower thresholds and the hysteresis are the same as those for the original circuit.



Further reading

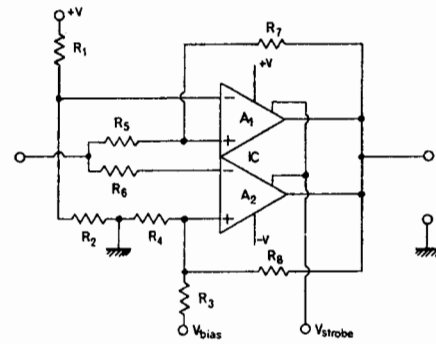
G. S. Oshiro, *Electronic Design*, June 1972.

Cross reference

Series 2, cards 4 & 6.

© 1972 IPC Business Press Ltd.

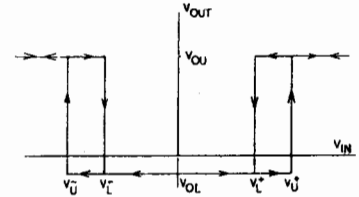
'Window' detector



Typical performance

IC: 711
 Supplies +12V, -6V
 $V_{\text{strobe}} = +5\text{V}; V_{\text{bias}} = -12\text{V}$
 $R_1, R_3: 5.6\text{k}\Omega$
 $R_2, R_4, R_5, R_6: 470\Omega$
 $R_7, R_8: 22\text{k}\Omega$
 $V^+_{\text{U}} = 953\text{mV}; V^+_{\text{L}} = 886\text{mV}$ (i.e. V_{OU} hysteresis = 67mV)
 $V^-_{\text{U}} = -946\text{mV}; V^-_{\text{L}} = -879\text{mV}$ (i.e. V_{OL} hysteresis = 67mV)

$V_{\text{OU}} = +4.4\text{V}; V_{\text{OL}} = -0.4\text{V}$ (inputs commoned)
 Supply current: +11.5mA, -5mA
 Strobe current: 76μA
 Bias current: 2.2mA



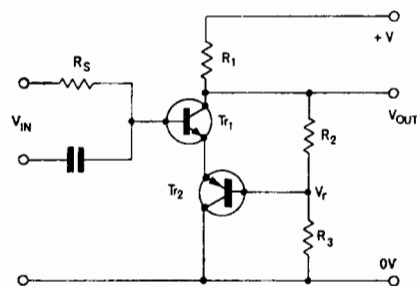
Circuit description

A₁ is a non-inverting comparator having a positive reference level (V_{r+}) set by R_1 and R_2 . Amplifier A₂ is an inverting comparator having a negative reference (V_{r-}) set by R_3 and R_4 . V_{out} remains at a low level when $V_{r-} < V_{\text{in}} < V_{r+}$, and A₂ is capable of switching its output to $+V_{\text{OU}}$ when $V_{\text{in}} < V_{r-}$. As the outputs of A₁ and A₂ are common, $V_{\text{out}} = +V_{\text{OU}}$ when $V_{\text{in}} < V_{r-}$, or when $V_{\text{in}} > V_{r+}$. Hysteresis is introduced by the positive feedback on A₁ (by R_7 and R_5) and A₂ (by R_8 and R_4). See transfer characteristic above. From an output level viewpoint the circuit is t.t.l. compatible.

Component changes

Maximum useful frequency $\approx 1\text{MHz}$.
 V_{OU} may be varied over the range +0.4 to 4.4V by setting V_{strobe} in the range +1 to +5V. V_{OL} remains fixed at -0.4V. Variation of R_1 and/or R_3 provides independent control of the positive and negative threshold levels. Minimum useful value of R_1 and/or $R_3 \approx 700\Omega$.
 Minimum load resistance (for 10% reduction of V_{OU}) $\approx 680\Omega$.

Complementary Schmitt



Circuit description

This is a complementary form of circuit using emitter coupling, as in the classic Schmitt. Neither transistor conducts for low input voltages. When V_{in} exceeds $V_r + 2V_{\text{be}}$, both transistors conduct causing the output voltage to fall regeneratively. With suitable resistance values, the supply current in the off state can be made much less than in the on state.

Typical data

$V_{\text{in}}(\text{on}) = V_r + 2V_{\text{be}}$
 Supply: +12V
 $\text{Tr}_1: \text{BC125}; \text{Tr}_2: \text{BC126}$
 $R_1, R_3: 1\text{k}\Omega; R_2: 10\text{k}\Omega$
 $R_s: 100\Omega; C_1: 0.1\mu\text{F}$
 $V_{\text{in}}(\text{on}) = 2.16\text{V}$

$V_{\text{in}}(\text{off}) = 1.59\text{V}$
 hysteresis = 0.57V
 $V_{\text{O}}(\text{on}) = 1.0\text{V}$
 $V_{\text{O}}(\text{off}) = 11\text{V}$
 Supply current:
 10.5mA (on), 1mA (off)

Component changes

● Varying R_2 in the range 5 to 20kΩ allows the hysteresis to be adjusted within the range 1.16 to 0.21V, without significantly changing $V_{\text{in}}(\text{off})$.
 $V_{\text{in}}(\text{on})$ correspondingly varies in the range 2.81 to 1.74V.
 ● If Tr_2 is a high-current-gain transistor $V_{\text{in}}(\text{off}) \approx 2V_{\text{be}}$; with a lower gain transistor $V_{\text{in}}(\text{off})$ will be increased due to the significant p.d. across R_3 produced by Tr_2 base current.
 ● A speed-up capacitor of about 27pF across R_2 improves the turn-on time from about 90ns to 30ns. Turn-off time is typically 90ns. Maximum useful frequency is typically 2MHz.

Circuit modifications

● Where hysteresis is not required the positive feedback resistors may be omitted.

● A visible-light-emitting diode connected to output terminal through a limiting resistor gives visual indication when the input signal is outside the limits set by V_{r1} and V_{r2} . Typically a resistance of 470Ω provides 5mA which is sufficient to illuminate the l.e.d. without excessively loading the IC.

Further reading

Application of linear microcircuits, SGS, 1969. pp.105-6.

Op-amp circuit collection, National Semiconductor application note AN-31, 1970, p.3.

Measurement of burst ("popcorn") noise in linear integrated circuits, RCA application note ICAN-6732, 1971. p.6.

Cole, H. A., Differential discriminator circuits, *Wireless World*, 1971, pp.603-4.

Cross references

Series 2, card 6.

© 1972 IPC Business Press Ltd.

Circuit modifications

A $47\text{-}\Omega$ resistor included in series with the 'free collector' of Tr_2 provides a complementary pulse output. These pulses typically have an amplitude of 0.6V (with a 12-V supply) i.e. sufficient to drive a following transistor or thyristor. Tr_1 will still saturate and Tr_2 will remain unsaturated. The value of this resistor may be considerably increased if it is returned to a separate negative supply. With a value $\leq R_1$ a second output is then available without significantly changing the circuit action.

Further reading

Hemingway, T. K., *Electronic Designer's Handbook*, Business Books, 1970, 2nd edition, pp.177-181.

Feinberg, R., *Handbook of Electronic Circuits*, Chapman and Hall, 1966, p.52.

Cross references

Series 2, cards 2 & 5.