



# Experimenter's Corner

By Forrest M. Mims

## THE ANALOG COMPARATOR

**T**HE ANALOG comparator is a circuit that compares an input voltage to a reference voltage and changes the state of its output when the input exceeds the reference. This decision-making ability has many important applications, several of which we will examine here.

A simple analog comparator can be made by using an operational amplifier without a feedback resistor. The role that a feedback resistor usually plays is to pass some of the amplified signal back to the inverting input of the op amp, thus reducing the amplifier's gain. Without the gain limitation imposed by a feedback resistor, the op amp operates at its maximum ("open-loop") gain. A small input voltage will then cause the output of the op amp to change state immediately. The resulting voltage swing is so dramatic that the comparator can be considered a switching circuit.

The operation of a noninverting analog comparator is shown in Fig. 1. A known reference voltage is applied to the comparator's inverting (-) input, and an unknown voltage to its noninverting (+) input. The LED indicates the status of the comparator's output.

In operation, the output of the comparator is at  $-V$  when the input voltage is more negative than the reference voltage which in this case is ground. The LED indicates this by glowing. When the

input voltage is more positive than the reference voltage, the comparator output switches from  $-V$  to  $+V$  and the LED is extinguished. Because the reference is ground, a very small positive voltage will trigger the comparator. In both cases, the voltage difference is measured in millivolts.

**Comparator Demonstration Circuit.** Unless you have previously worked with analog comparators, you will probably want to take a few minutes to breadboard the simple demonstration circuit shown in Fig. 2 before trying any of the circuits that will be described later.

The comparator in this circuit is a 741 op amp without a feedback resistor. A variable input voltage is provided by  $R1$ , a potentiometer operated as a voltage divider. Resistors  $R2$  and  $R3$  form a fixed voltage divider that provides a reference at half the supply voltage.

When the input voltage is below the reference voltage, the LED glows to indicate that the comparator's output is low (at ground). The LED switches off to indicate the comparator's output is high (at  $+9V$ ) as soon as the input voltage exceeds the reference voltage. With the values shown in Figure 2,  $R1$ 's wiper will be at the center of its rotation when the comparator switches, assuming that  $R1$  is a linear potentiometer.

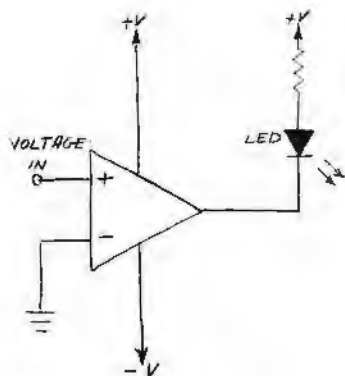


Fig. 1. Operation of a basic comparator circuit.

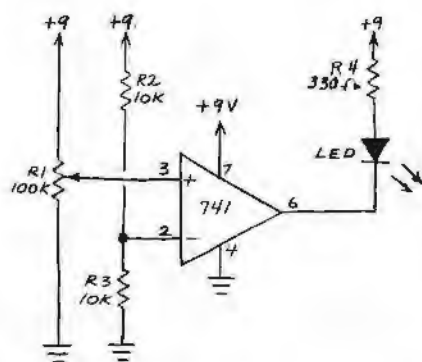


Fig. 2. Schematic of a demonstration comparator circuit.

# Now!



## A tool buddy for everybody!



# Xcelite®

## MULTI-PURPOSE TOOL KIT presents your 11 most used tools.

Professional or hobbyist, reach out your hand. Xcelite tool buddy TKX-11 has just the tool you want for tinkering, maintenance, or repair. Six different drivers — pocket clip, stubby, and regular — for slotted, Phillips, hex head screws and nuts. 10-foot inch/metric rule. Wire stripper/cutter. 6" slip joint plier, long nose plier with side cutter, adjustable wrench.

Compact, durable, double-wall caddy compartmented for easy choice and storage. A buddy you'll keep by your side.

**New Gift Idea!** For all occasions.

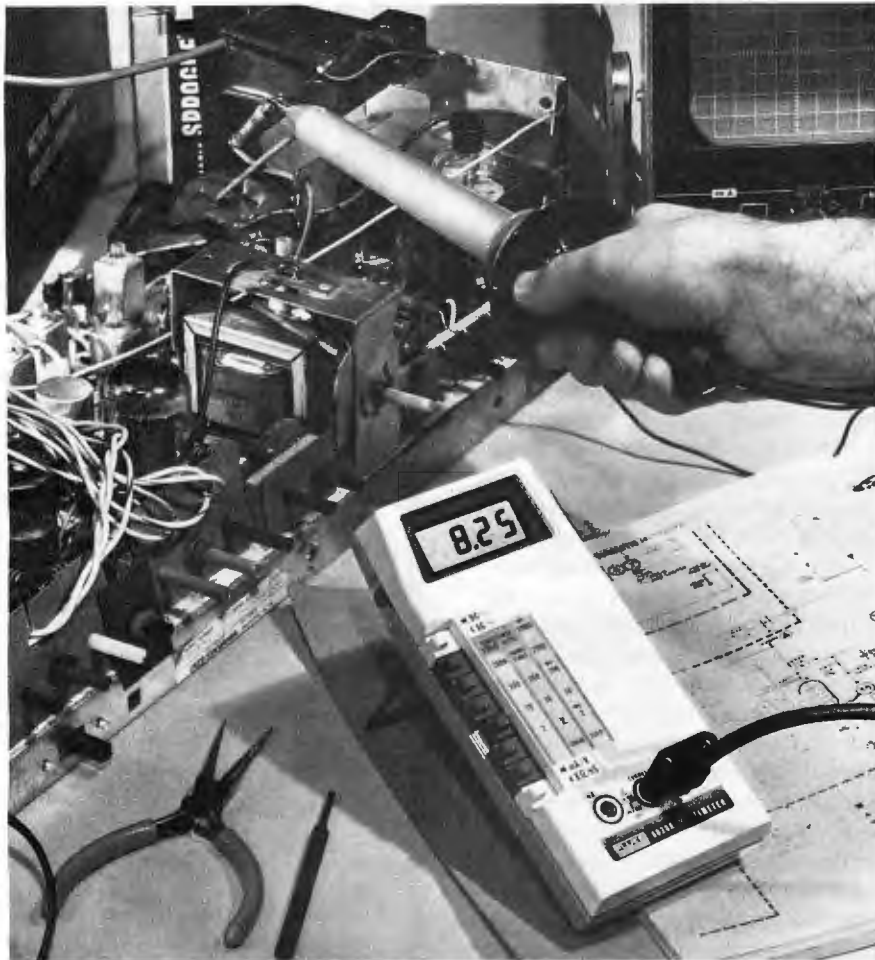
In stock at leading electronic distributors . . . nationwide.



### The Cooper Group Electronics Division

WELLER® • WISS® • XCELITE®  
P.O. BOX 728, APEX, NORTH CAROLINA 27502, 919/362-7511  
CIRCLE NO. 19 ON FREE INFORMATION CARD

# How do you really use a multimeter?



Usually at your bench, in the shop, shared with others. And, if it's a Fluke multimeter, you use it with confidence.

Now you can carry that same bench precision on the job. Introducing the new Fluke 8020A DMM for only \$169.

This rugged beauty packs more field-valuable features than any other DMM available, at any price. And that means field versatility when you need it most.

The 8020A has six resistance ranges, including a 20 megohm range for those special high-resistance TV components. Plus, you can measure focus dividers, pcb and capacitor leakage clear up to 10,000 megohms with the new conductance function. And conductance allows you to measure transistor beta—unique

with the 8020A.

Ever damaged your meter in the fly-back circuit? Rest easy. The 8020A is MOV-protected to 6000V against hidden spikes and transients.

Your 8020A comes with a full-year warranty, with worldwide service backup. Regardless of what happens to it, we'll fix it inexpensively and quickly, making the 8020A a truly cost-effective investment.

Call (800) 426-0361\*, toll free. We'll tell you the location of the closest Fluke office or distributor for the best value in DMMs around.

Price U.S. only.

\*Alaska, Hawaii and Washington residents — please call (206) 774-2481.

**Command Performance: Demand the Fluke 8020A.**

2510-8020



CIRCLE NO. 24 ON FREE INFORMATION CARD

## Sine- to Square-Wave Converter.

One of the simplest applications for a comparator is the sine- to square-wave converter shown in Fig. 3. The reference voltage is ground so the comparator switches its output to its maximum positive value when the sine-wave voltage exceeds ground potential. Similarly, the comparator output switches to its maximum negative value when the sine-wave voltage is at or below ground potential. The result is a square wave with the same period as the sine wave.

**Peak Detector.** Another simple but useful comparator application is the peak detector. As its name implies, the peak detector retains the maximum amplitude of a fluctuating input voltage for subsequent readout and analysis. Suitable transducers connected to the input of a peak detector permit the determina-

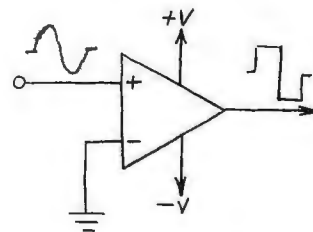


Fig. 3. Comparator as sine-wave to square-wave converter.

tion of such parameters as maximum wind velocity, temperature, light intensity, vehicle speed, and many others.

Figure 4 shows a basic peak detector circuit that you can easily assemble. To understand its operation, assume that  $C1$  is initially discharged (i.e., the RESET switch has been momentarily closed). This means that the reference voltage at the inverting input of the comparator is 0 and that a positive input voltage will immediately switch the output of the comparator to +9 volts. The comparator output will then begin to charge  $C1$  until the voltage across the capacitor equals the input voltage. As soon as the two voltages are equal, the comparator output immediately drops to ground potential and  $C1$  stops charging.

If a subsequent input voltage exceeds the charge stored in  $C1$ , the comparator output will again go high and allow  $C1$  to charge to the new peak voltage. This tracking process ensures that  $C1$  always retains the peak voltage applied to the input. When you want to track a new

(lower) peak voltage, close the RESET switch to discharge  $C1$ .

The peak detector circuit is subject to drift because  $C1$  will gradually lose its charge. Diode  $D1$  prevents discharge through the comparator, but discharge can take place through the output circuitry or through the dielectric leakage of the capacitor. For these reasons, it is important to use a low-loss polystyrene or Mylar capacitor for  $C1$  and a high-impedance monitoring circuit.

Last month's installment of this column described a simple high-impedance voltage follower you can use to interface the peak detector to a low-impedance device such as a panel meter or VOM. Without the high-impedance buffer,  $C1$  will quickly discharge when you attempt to measure the voltage across it.

**The Window Comparator.** The comparator circuits described thus far

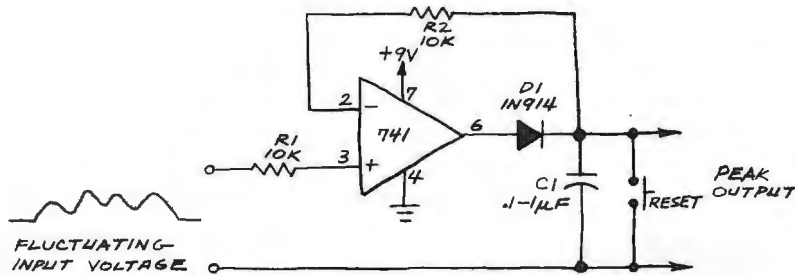


Fig. 4. Schematic of a simple peak detector.

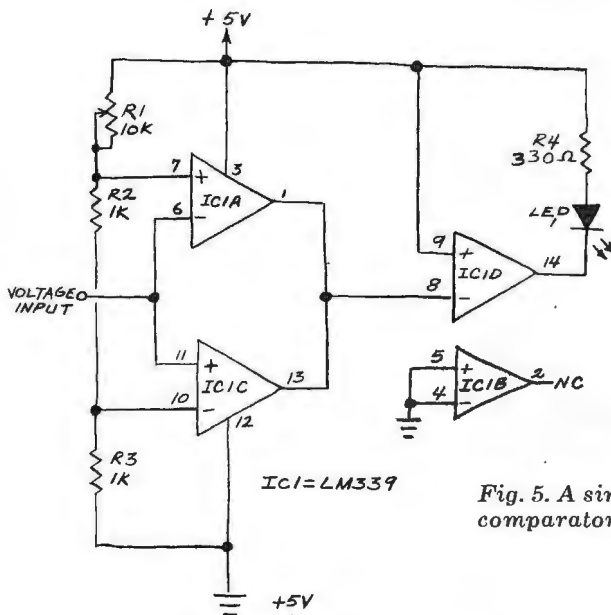


Fig. 5. A simple window comparator circuit.

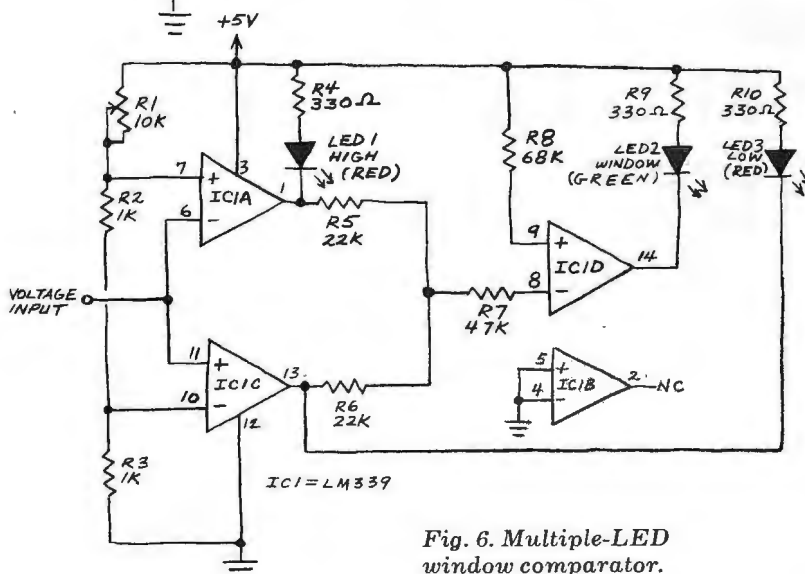


Fig. 6. Multiple-LED window comparator.

# FREE! EDMUND SCIENTIFIC CATALOG

Explore Astronomy, Biofeedback, Computers, Health, Lasers, Magnets, Microscopes, Optics, Photography, Weather... Over 4,000 Fascinating Items, More Than 160 Colorful Pages... The Exciting, FREE Edmund Catalog!

38 Years of Service!

No. 108  
© Edmund Scientific Co. 1979

Yes! Rush me your FREE Catalog so that I can explore Edmund's World of Science.

Name \_\_\_\_\_

Address \_\_\_\_\_

City \_\_\_\_\_

State \_\_\_\_\_ Zip \_\_\_\_\_

Clip and Mail Coupon Today to:  
Edmund Scientific Co., AV10  
Edscorp Bldg., Barrington, N.J. 08007

## ABOUT YOUR SUBSCRIPTION

Your subscription to POPULAR ELECTRONICS is maintained on one of the world's most modern, efficient computer systems, and if you're like 99% of our subscribers, you'll never have any reason to complain about your subscription service.

We have found that when complaints do arise, the majority of them occur because people have written their names or addresses differently at different times. For example, if your subscription were listed under "William Jones, Cedar Lane, Middletown, Arizona," and you were to renew it as "Bill Jones, Cedar Lane, Middletown, Arizona," our computer would think that two separate subscriptions were involved, and it would start sending you two copies of POPULAR ELECTRONICS each month. Other examples of combinations of names that would confuse the computer would include: John Henry Smith and Henry Smith; and Mrs. Joseph Jones and Mary Jones. Minor differences in addresses can also lead to difficulties. For example, to the computer, 100 Second St. is not the same as 100 2nd St.

So, please, when you write us about your subscription, be sure to enclose the mailing label from the cover of the magazine—or else copy your name and address exactly as they appear on the mailing label. This will greatly reduce any chance of error, and we will be able to service your request much more quickly.

# Why buy a multi-capability counter for frequency-only measurements?



The 1911A multimeter makes accurate field transmitter frequency checks easy with the optional battery-pack and whip antenna.

For accurate readings in the presence of noise. Our new 1911/12A multi-counters have both trigger-level and attenuator controls.

For high resolution measurement of low frequency control tones in the period or period-average mode.

For economy. They're priced about the same as many frequency-only models, with totalize, autozero, autoranging, manual and automatic range selection, and more. Standard.

- 1911A for 250 MHz applications: \$495.\*
- 1912A for measurements to 520 MHz: \$620.\*

Call (800)426-0361, toll free, or write: John Fluke Mfg. Co., P.O. Box 43210, Mountlake Terrace, WA 98043.

\*(U.S. price)



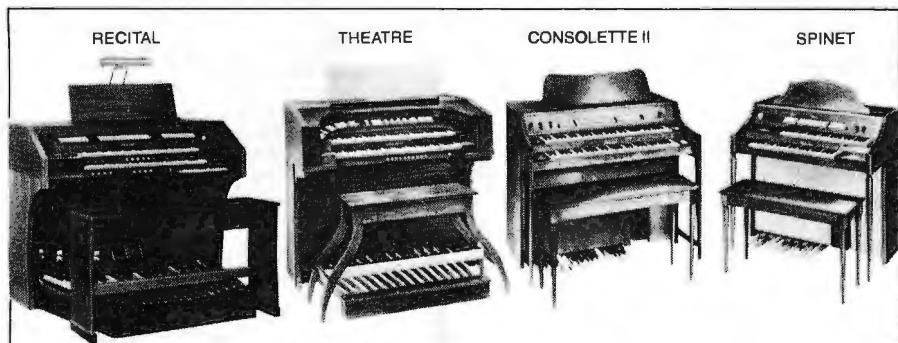
1912A 520 MHz model

## Fluke Multimeters for Communications Service



7501-1911/12

CIRCLE NO. 25 ON FREE INFORMATION CARD



# You can assemble any of these Schober Organs

—and save 50% off store prices.

This coupon will bring you the fascinating Schober color catalog which describes the organs and shows you how easy it is to assemble them from Schober's complete kits. Include \$1 if you want a 12-inch demo record.

The Schober Organ Corp., Dept. PE—83  
43 West 61st Street, New York, N.Y. 10023

- Please send me the Schober Organ Kit Catalog.  
 Enclosed is my \$1 for the 12-inch demo record.

Name \_\_\_\_\_

Address \_\_\_\_\_

City \_\_\_\_\_ State \_\_\_\_\_ Zip \_\_\_\_\_

CIRCLE NO. 53 ON FREE INFORMATION CARD

operate in the noninverting mode. That is, they generate an output identical in polarity to the input voltage. However, a comparator can be operated in the inverting mode by simply reversing the two inputs. This makes possible many additional applications, one of which is called the limit or window comparator.

A window comparator can be made from three-fourths of an LM339 quad comparator as shown in Fig. 5. This chip was the subject of the January 1977 Experimenter's Corner. Unlike the 741, the LM339 is specifically designed to operate with a single-polarity power supply.

In operation, IC1C functions as a non-inverting comparator, but IC1A operates as an inverting comparator. Potentiometer R1 and fixed resistors R2 and R3 form a divider chain that delivers slightly different voltages to the two comparators. These voltages define the upper and lower limits of the circuit's switching "window," which can be changed easily by varying R2 and R3.

The output of each comparator in the LM339 is an uncommitted collector. This means two or more outputs can be tied together to achieve a logic OR function without using diodes or a logic gate.

When the input voltage is less positive than IC1C's reference voltage, the output collector of this comparator is low. When the input voltage is more positive than IC1A's reference voltage, its output collector is low. When either output is low, the other is pulled low, causing a LED connected between the two outputs and the positive power supply to glow.

If the input voltage falls in the window region between the two reference voltages, the output of each comparator is high. This will cause a LED connected to the outputs to be darkened.

It's usually desirable for an indicator to light when a desired condition is met. The third comparator in Fig. 5 serves this purpose by inverting the output of the window comparator. The LED then glows only when the input voltage falls within the window region.

An even more useful version of the circuit is shown in Fig. 6. Here, the third comparator is employed as a NAND gate. Three LED's connected to the outputs of all three comparators provide a HIGH/WINDOW/LOW indication. For best results, use a green LED for the WINDOW indicator and red LED's for the HIGH and LOW indicators. The green LED will glow when the input voltage is within the window. The red LED's will indicate that the input voltage is either above or below the window. The LED's should be

mounted in a vertical row with the HIGH LED on top, the WINDOW LED in the middle, and the LOW LED on the bottom.

If you use three different colors for the LED's, the circuit will tell you whether the input voltage is above, below, or in the window no matter how the LED's are mounted. A red LED connected to the output of IC1A, for instance, would indicate a HIGH voltage. A yellow LED at IC1C would indicate a LOW voltage. Finally, a green LED at IC1D would indicate an input voltage within the WINDOW.

Incidentally, the comparator used as a NAND gate in Fig. 6 can be replaced by a conventional TTL 7400 NAND gate. In

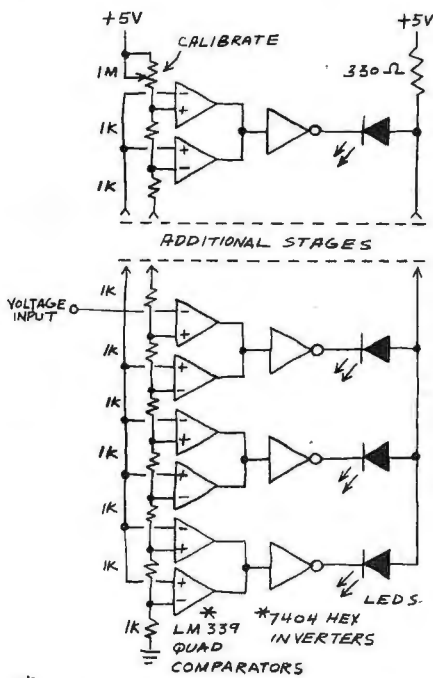


Fig. 7. A moving-dot voltage indicator.

fact, the first breadboard version of the circuit I assembled used a 7400. Similarly, the third comparator in Fig. 5 can be replaced by one of the inverters in a 7404 hex inverter and an npn transistor and a 10,000-ohm base resistor. Keep this in mind when building a window comparator in a complex circuit that includes digital logic chips. A 7400 with an unused gate will allow you to eliminate the extra resistors required by the comparator NAND gate.

### Moving-Dot Voltage Indicator.

The window comparator shown in Fig. 5 can be easily expanded to provide a moving dot LED voltage indicator and

Fig. 7 shows one possible configuration suggested by Bill Cikas of Rockford, IL.

Regular readers of this column might recall the moving-dot voltage indicator described in the October 1978 installment. Bill's circuit requires three functional blocks per dot while my earlier circuit uses 2.5 per dot. On the other hand, Bill's circuit requires one less IC (7) than mine (8). It's also more straightforward and easier to troubleshoot.

**Solid-State Oscilloscope Update.** The solid-state oscilloscope described in previous columns has resulted in more letters than any previous topic covered in "Experimenter's Corner." In fact, the moving-dot voltage indicator in Fig. 7 is actually the vertical section of a solid-state scope designed and built by Bill Cikas.

I'll have more to say about this and other experimental solid-state scopes in a future column. In the meantime, I would like to hear from other experimenters who have successfully assembled and operated all-solid-state oscilloscopes. Please include a stamped, self-addressed envelope for a reply. ◇

## Build The World's Most Powerful 8-Bit Computer

### Featuring The Famous Intel 8085!

# Explorer/85™

Starting for just \$129.95 you can now build yourself a sophisticated, state-of-the-art computer that can be expanded to a level suitable for industrial, business and commercial use. You learn as you go... in small, easy-to-understand, inexpensive levels!

- Features Intel 8085 cpu/100% compatible with 8080A software!
- Onboard S-100 bus (up to 6 slots)!
- Onboard RAM and ROM expansion!
- Built-in deluxe 2K Monitor/Operating ROM!
- Cassette/RS 232 or 20 ma./4-1/2 8-bit parallel I/O and timer all on beginner's Level "A" system!

EXPLORER/85 gives you "big computer" features immediately, without turning you into an appliance operator, doomed to run pre-developed software for life. Simply connect EXPLORER to a terminal, video monitor or tv set and 8 volt power supply and start running programs, the very first night! Level "A" teaches you machine language and computer fundamentals. It lets you run exercise programs including programs to examine the cpu registers, examine memory, lll memory, move memory and make up games. You can load and play back these programs on an ordinary tape cassette—and display your efforts on any tv screen, video monitor or printer. (\$8.95 RF modulator required for tv use.) The simplified architecture of the Intel 8085 makes EXPLORER far easier to understand than computers using the older, more complex but less powerful 8080A. Then, when you're ready, EXPLORER can be expanded—by you—to rival the power of any 8-bit computer on earth. Or you can customize it to perform a dedicated task, thanks to onboard prototyping, RAM and ROM expansion capabilities.

#### LEVEL "A" SPECIFICATIONS

EXPLORER's Level "A" system features an advanced Intel 8085 cpu, which is 50% faster than its 8080A predecessor, yet 100% compatible with 8080A software... which, you'll discover, exists by the ton. "Big computer" features include an 8355 ROM with 2K deluxe monitor/operating system which has two programmable 8-bit bi-directional parallel I/O ports, built-in cassette interface with tape control circuitry to allow labeling cassette files, and commands which include: "display contents of memory," "run at user location (go to)," "insert data," "move contents of memory," "examine registers individually or all," "lll command (to fill the contents of memory with any variable), automatic baud rate selection, programmable characters per line display output format, and more! An 8155 RAM—I/O chip contains 256 bytes of RAM, two programmable 8-bit bi-directional and one programmable 6-bit bi-directional I/O ports plus programmable 14-bit binary counter/timer, user interrupt and reset switches. Onboard expansion provisions extend up to six S-100 boards, 4K of RAM and 8K of ROM, PROM or EPROM.

#### Netronics R&D Ltd., Dept P E S, 333 Litchfield Road, New Milford, CT 06676

- |   |   |
|---|---|
| <input type="checkbox"/> Level "A" EXPLORER/85 kit (specify □ terminal or □ hex keypad input), \$129.95 plus \$3 p&h. | <input type="checkbox"/> Deluxe Steel Cabinet for EXPLORER/85, \$39.95 plus \$3 p&h.                |
| <input type="checkbox"/> Power Supply kit, 5 amp. ± 8 volt, \$34.95 plus \$2 p&h.                                     | <input type="checkbox"/> Deluxe Steel Cabinet for Keyboard/Video Terminal, \$19.95 plus \$2.50 p&h. |
| <input type="checkbox"/> Intel 8085 User's Manual, \$7.50 pdd.  | <input type="checkbox"/> RF Modulator kit, \$8.95 pdd.  |
| <input type="checkbox"/> ASCII Keyboard/Video Terminal kit, \$149.95 plus \$3 p&h.                                    | <input type="checkbox"/> Total Enclosed (Conn. res. add tax) \$_____                                |
| <input type="checkbox"/> Hex Keypad kit for hex version, \$69.95 plus \$2 p&h.  | <input type="checkbox"/> VISA □ Master Charge □ Exp. Date _____                                     |
| <input type="checkbox"/> Level "B" S-100/Onboard RAM/ROM Decoder kit (less S-100 connectors), \$49.95 plus \$2 p&h.   | Account # _____   |
| <input type="checkbox"/> Level "C" S-100 5-Card Expander kit (less connectors), \$39.95 plus \$2 p&h.                 | <b>PHONE ORDERS CALL (203) 354-9375</b>   |
| <input type="checkbox"/> S-100 Bus Connectors (gold), \$4.85 each.  | Print Name _____  |
| <input type="checkbox"/> Level "D" 4K Onboard RAM kit, \$69.95 plus \$2 p&h.  | Address _____   |
|   | City _____  |
|   | State _____ Zip _____   |

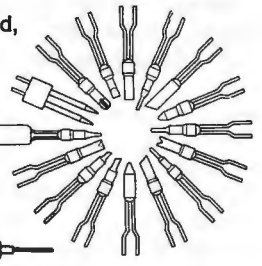
CIRCLE NO. 41 ON FREE INFORMATION CARD

## The quick charge iron with 16 different quick change tips.

**ISOTIP® QUICK CHARGE Cordless Soldering Iron completely recharges in 3½-4 hours. Low voltage, battery powered, ground free isolated tip design.**



16 snap-in tips to fit any job plus a PC Drill.



**WAHL CLIPPER CORPORATION**  
 ORIGINATORS OF PRACTICAL CORDLESS SOLDERING  
 • Sterling, Illinois 61081 • (815) 625-6525  
 "Manufacturing Excellence Since 1919"  
 CIRCLE NO. 59 ON FREE INFORMATION CARD

## Build The World's Most Powerful 8-Bit Computer

### Featuring The Famous Intel 8085!

# Explorer/85™

Starting for just \$129.95 you can now build yourself a sophisticated, state-of-the-art computer that can be expanded to a level suitable for industrial, business and commercial use. You learn as you go... in small, easy-to-understand, inexpensive levels!

- Features Intel 8085 cpu/100% compatible with 8080A software!
- Onboard S-100 bus (up to 6 slots)!
- Onboard RAM and ROM expansion!
- Built-in deluxe 2K Monitor/Operating ROM!
- Cassette/RS 232 or 20 ma./4-1/2 8-bit parallel I/O and timer all on beginner's Level "A" system!

EXPLORER/85 gives you "big computer" features immediately, without turning you into an appliance operator, doomed to run pre-developed software for life. Simply connect EXPLORER to a terminal, video monitor or tv set and 8 volt power supply and start running programs, the very first night! Level "A" teaches you machine language and computer fundamentals. It lets you run exercise programs including programs to examine the cpu registers, examine memory, lll memory, move memory and make up games. You can load and play back these programs on an ordinary tape cassette—and display your efforts on any tv screen, video monitor or printer. (\$8.95 RF modulator required for tv use.) The simplified architecture of the Intel 8085 makes EXPLORER far easier to understand than computers using the older, more complex but less powerful 8080A. Then, when you're ready, EXPLORER can be expanded—by you—to rival the power of any 8-bit computer on earth. Or you can customize it to perform a dedicated task, thanks to onboard prototyping, RAM and ROM expansion capabilities.

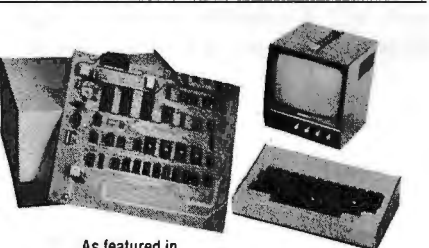
#### LEVEL "A" SPECIFICATIONS

EXPLORER's Level "A" system features an advanced Intel 8085 cpu, which is 50% faster than its 8080A predecessor, yet 100% compatible with 8080A software... which, you'll discover, exists by the ton. "Big computer" features include an 8355 ROM with 2K deluxe monitor/operating system which has two programmable 8-bit bi-directional parallel I/O ports, built-in cassette interface with tape control circuitry to allow labeling cassette files, and commands which include: "display contents of memory," "run at user location (go to)," "insert data," "move contents of memory," "examine registers individually or all," "lll command (to fill the contents of memory with any variable), automatic baud rate selection, programmable characters per line display output format, and more! An 8155 RAM—I/O chip contains 256 bytes of RAM, two programmable 8-bit bi-directional and one programmable 6-bit bi-directional I/O ports plus programmable 14-bit binary counter/timer, user interrupt and reset switches. Onboard expansion provisions extend up to six S-100 boards, 4K of RAM and 8K of ROM, PROM or EPROM.

#### Netronics R&D Ltd., Dept P E S, 333 Litchfield Road, New Milford, CT 06676

- |   |   |
|---|---|
| <input type="checkbox"/> Level "A" EXPLORER/85 kit (specify □ terminal or □ hex keypad input), \$129.95 plus \$3 p&h. | <input type="checkbox"/> Deluxe Steel Cabinet for EXPLORER/85, \$39.95 plus \$3 p&h.                |
| <input type="checkbox"/> Power Supply kit, 5 amp. ± 8 volt, \$34.95 plus \$2 p&h.                                     | <input type="checkbox"/> Deluxe Steel Cabinet for Keyboard/Video Terminal, \$19.95 plus \$2.50 p&h. |
| <input type="checkbox"/> Intel 8085 User's Manual, \$7.50 pdd.  | <input type="checkbox"/> RF Modulator kit, \$8.95 pdd.  |
| <input type="checkbox"/> ASCII Keyboard/Video Terminal kit, \$149.95 plus \$3 p&h.                                    | <input type="checkbox"/> Total Enclosed (Conn. res. add tax) \$_____                                |
| <input type="checkbox"/> Hex Keypad kit for hex version, \$69.95 plus \$2 p&h.  | <input type="checkbox"/> VISA □ Master Charge □ Exp. Date _____                                     |
| <input type="checkbox"/> Level "B" S-100/Onboard RAM/ROM Decoder kit (less S-100 connectors), \$49.95 plus \$2 p&h.   | Account # _____   |
| <input type="checkbox"/> Level "C" S-100 5-Card Expander kit (less connectors), \$39.95 plus \$2 p&h.                 | <b>PHONE ORDERS CALL (203) 354-9375</b>   |
| <input type="checkbox"/> S-100 Bus Connectors (gold), \$4.85 each.  | Print Name _____  |
| <input type="checkbox"/> Level "D" 4K Onboard RAM kit, \$69.95 plus \$2 p&h.  | Address _____   |
|   | City _____  |
|   | State _____ Zip _____   |

CIRCLE NO. 41 ON FREE INFORMATION CARD



As featured in **POPULAR ELECTRONICS**  
 EXPLORER/85 shown with Video Monitor and Keyboard/Video Terminal.

**CHOICE OF HEX KEYPAD OR TERMINAL INPUT**  
 If you plan to customize EXPLORER for dedicated use, we recommend that you order hex keypad input. But, if you are planning to go whole hog and blow EXPLORER up into a full size, state-of-the-art system with 8K or extended basic (coming soon), up to 64K of memory, floppy disks, telephone interface, printer's, and all sorts of S-100 plug-ins—you'll be better off with the Keyboard/Video Terminal input. The \$149.95 EXPLORER Keyboard/Video Terminal includes full ASCII decoding with 128 ASCII upper/lower case set, 96 printable characters, onboard regulators and selectable display formats—32x16 for tv set or 64x16 for video monitor (not included).

**EXPAND EXPLORER, LEVEL-BY-LEVEL**  
 Level "B", at \$49.95, adds S-100 signals plus onboard RAM/ROM decoding. Includes all parts necessary to generate the signals for S-100 bus accessories. Just add two S-100 bus connectors and you have a complete S-100 compatible computer with a world of add-ons at your fingertips. Choose from hundreds of products to satisfy your individual needs. Level "B" kit also includes the address decoders for onboard RAM and ROM expansion, which are addressable anywhere in the 65K field.  
 Level "C" expansion, at \$39.95, expands the S-100 bus to allow a total of six S-100 cards to be plugged into EXPLORER's motherboard and contained in EXPLORER's steel cabinet. Includes all hardware, mounting brackets, board guides, etc. Just add the number of S-100 bus connectors you need.

Level "D" expansion, at \$69.95, gives you 4K of onboard static RAM utilizing 2114 IC's. Your board will also accept four 2716 EPROM's, which can be purchased separately. You now have an advanced mainframe that can be customized with the peripherals of your choice to fill any (or all) specific requirements. Each level of EXPLORER is separately regulated for the ultimate in stability. Factory service is available from Netronics. Order your EXPLORER today!

#### ORDER FROM THIS COUPON TODAY!

- |   |   |
|---|---|
| <input type="checkbox"/> Level "A" EXPLORER/85 kit (specify □ terminal or □ hex keypad input), \$129.95 plus \$3 p&h. | <input type="checkbox"/> Deluxe Steel Cabinet for EXPLORER/85, \$39.95 plus \$3 p&h.                |
| <input type="checkbox"/> Power Supply kit, 5 amp. ± 8 volt, \$34.95 plus \$2 p&h.                                     | <input type="checkbox"/> Deluxe Steel Cabinet for Keyboard/Video Terminal, \$19.95 plus \$2.50 p&h. |
| <input type="checkbox"/> Intel 8085 User's Manual, \$7.50 pdd.  | <input type="checkbox"/> RF Modulator kit, \$8.95 pdd.  |
| <input type="checkbox"/> ASCII Keyboard/Video Terminal kit, \$149.95 plus \$3 p&h.                                    | <input type="checkbox"/> Total Enclosed (Conn. res. add tax) \$_____                                |
| <input type="checkbox"/> Hex Keypad kit for hex version, \$69.95 plus \$2 p&h.  | <input type="checkbox"/> VISA □ Master Charge □ Exp. Date _____                                     |
| <input type="checkbox"/> Level "B" S-100/Onboard RAM/ROM Decoder kit (less S-100 connectors), \$49.95 plus \$2 p&h.   | Account # _____   |
| <input type="checkbox"/> Level "C" S-100 5-Card Expander kit (less connectors), \$39.95 plus \$2 p&h.                 | <b>PHONE ORDERS CALL (203) 354-9375</b>   |
| <input type="checkbox"/> S-100 Bus Connectors (gold), \$4.85 each.  | Print Name _____  |
| <input type="checkbox"/> Level "D" 4K Onboard RAM kit, \$69.95 plus \$2 p&h.  | Address _____   |
|   | City _____  |
|   | State _____ Zip _____   |

CIRCLE NO. 41 ON FREE INFORMATION CARD